



# PARTS CATALOG

Published

2011/4 (Apr.)

---

0CR10-G59600

# Introduction

1. This parts catalog is a first edition of the L100V6CF1T1AA Diesel engine.

	Parts catalog No.	Date of issue	Remarks
First edition	000Y00R5960	Jan. , 2005	

2. This parts catalog does not contain the technical data needed for maintenance service.

3. The illustrations used in this parts catalog have been simplified for clarity.

4. The contents of this parts catalog are subject to change without notice.

5. Be sure to use only Yanmar genuine parts for repairs. If imitation parts are used, it may cause engine defects.

## Directions for the Parts Catalog.

1. The parts stipulated in this Parts Catalog are not necessarily standard equipped parts.
2. Parts may change without prior notice.
3. The following is an example of the Parts Catalog format.

OCF10-G21601		29. FUEL INJECTION PUMP(W/BOOST)									
REF.	LEV.	PARTS NO.	DESCRIPTION	(A)	(B)	(C)	(D)	(E)	(F)	I	R
1	1	729595-51390	FUEL INJECTION PUMP	1	1	1	1	1			1
1-1	1	729595-51391	FUEL INJECTION PUMP	1	1	1	1	1		N	1
		(A=E00185)	(B=E00200)								
3	2	26022-060162	SCREW M 6X 16	9	9	9	9	9			
3-1	2	26022-060162	SCREW M 6X 16	4	4	4	4	4		K	
		(A=E00156)	(B=E00156)	(C=E00156)	(D=E00156)	(E=E00156)					
4	2	129470-51040	CAMSHAFT	1	1	1	1	1			
5	2	122710-51050	BEARING, ROLLER	2	2	2	2	2			
6	2	129470-51060	RETAINER	1	1	1	1	1			

Remarks
(1) BOOST COMPEMSATOR TYPE. OPTIONAL PART, TO E00155,(4JH-DT, 4JH-DTZ

### ① Ref. No.

The Ref. No. listed may not be in accordance with the illustration Ref. No.

(Ex.) Illustration No.

List Ref No.

1

1

(Before change)

1-1

(After change)

For interchangeable symbols N, R and K, illustrations for new parts may be abbreviated.

### ② Lev. (Level)

Level indication

The numbers below indicate the level of relativity towards the main part.

1 ----- Main parts (Assembly parts)

2 ----- Sub component included in " 1 ".

3 ----- Sub component included in " 2 ".

Note) Parts that are not for sale are partially illustrated but not listed.

### ③ Interchangeability Mark

When a part change takes place, one of the following interchangeability symbols is indicated beside the part.

Symbol	Interchangeability	Contents note
N	Old $\begin{matrix} \leftarrow \text{Yes} \\ \text{No} \rightarrow \end{matrix}$ New	New Part is interchangeable for Old Part but Old Part is not interchangeable for New Part.
Q	Old $\begin{matrix} \leftarrow \text{No} \\ \text{Yes} \rightarrow \end{matrix}$ New	New Part is not interchangeable for Old Part but Old Part is interchangeable for New Part.
R	Old $\begin{matrix} \leftarrow \text{Yes} \\ \text{Yes} \rightarrow \end{matrix}$ New	New/ Old Parts are both interchangeable.
S	Old $\begin{matrix} \leftarrow \text{No} \\ \text{No} \rightarrow \end{matrix}$ New	New/ Old Parts are both not interchangeable.
W		Part newly added.
Z		Part discontinued.
F		Not interchangeable by a single part but interchangeable together with related parts.
K		Changes only for used parts quantities.

### ④ Effective Machine No.

When a part changes, the effective Machine No. will be indicated in the (A)-(F) column.

Product Symbol	Product No.	Product Symbol	Product No.
C	Clutch No. Compressor No.	F	Machine No. (Agricultural Equip.)
D	Drive No.	M	Machine No.
E	Engine No.		

Note 1) A date may follow the symbol. (Ex.) 1996.01

Note 2) "XXXXX" and "ZZZZZ" are for parts that could not be predicted or for engine models that could not be identified.

Note 3) (A=E00185) is the E (Engine Serial Number) for the column (A) model (in this case 4JH-DT) after the parts design change.

### ⑤ Remarks Mark

Figures or alphabets (symbols) are entered in the remarks column.

The comments (remarks) on parts that are indicated at the bottom of the illustration are the same symbols as those stated above.

# CONTENTS

MODEL : L100V6CF1T1AA

PC NO : 0CR10-G59600

Fig.No. GROUP NAME

L100V6CF1T1AA

1. CYLINDER BLOCK
2. CYLINDER HEAD & BONNET
3. AIR CLEANER & MUFFLER
4. CRANKSHAFT,PISTON & CAMSHAFT
5. LUB.OIL PUMP & GOVERNOR
6. COOLING & STARTING DEVICE
7. FUEL INJECTION PUMP & FUEL INJECTION VALVE
10. (7A)FUEL INJECTION PUMP & FUEL INJECTION VALVE
8. FUEL TANK & FUEL PIPE
9. TOOL,LABEL & GASKET SET

Fig.No. GROUP NAME

Fig.1. CYLINDER BLOCK

(A)=L100V6CF1T1AA

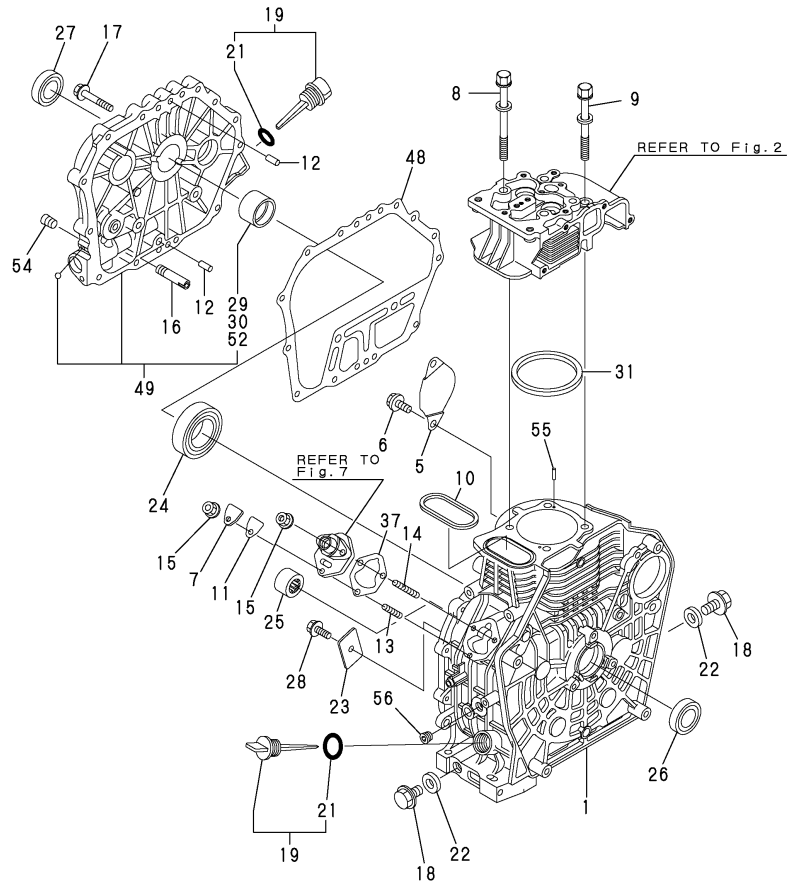
(B)=

(C)=

(D)=

(E)=

(F)=

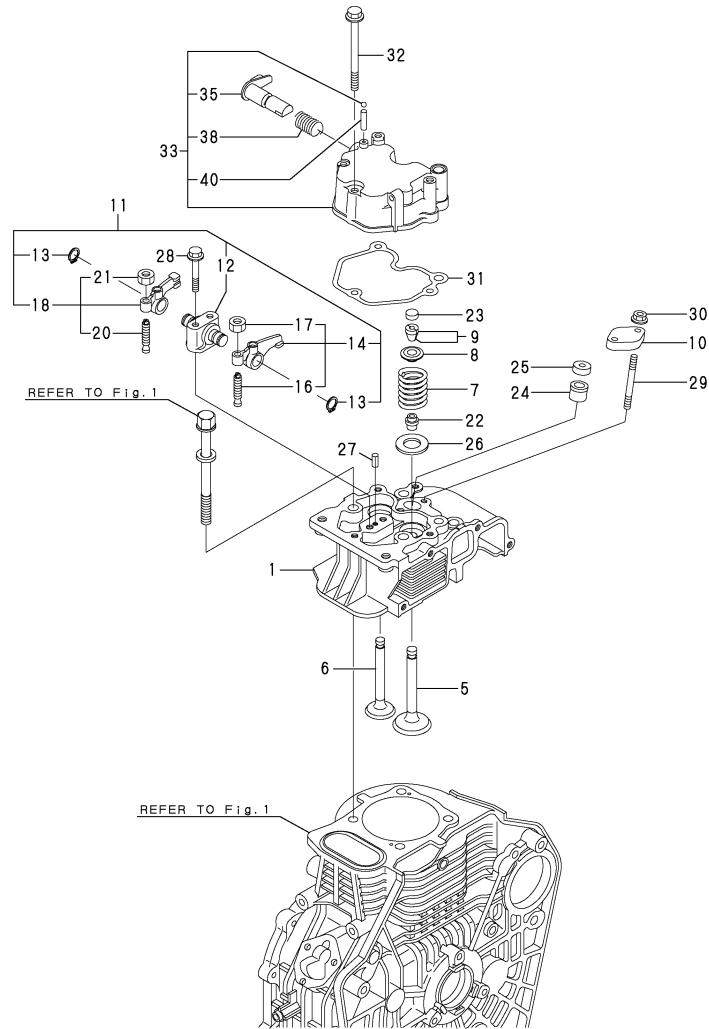


REF.	LEV.	PARTS NO.	DESCRIPTION	Q'TY						I	R
				(A)	(B)	(C)	(D)	(E)	(F)		
1	1	114310-01010	BLOCK ASSY, CYLINDER	1							
5	1	114399-01700	COVER, STARTER	1							
6	1	26106-100122	BOLT M10X 12 PLATED	2							
7	1	114299-01830	COVER,(FO PUMP	1							
8	1	114310-01200	BOLT, CYL.HEAD A	2							
9	1	114310-01210	BOLT, CYL.HEAD B	2							
10	1	114699-01380	O-RING	1							
11	1	114250-01841	GASKET, COVER	1							
12	1	114299-01600	PIN, 8X12	2							
13	1	26226-060182	STUD M 6X 18 PLATED	1							
14	1	26226-060222	STUD M 6X 22 PLATED	2							
15	1	26366-060002	NUT M 6	3							
16	1	114299-35150	PIPE, L.O. INLET	1							
17	1	26106-080352	BOLT M 8X 35 PLATED	16							
18	1	114299-01690	PLUG M16	2							
19	1	114699-01760	CAP ASSY, LO SUPPLY	2							
21	2	114299-01950	O-RING	2							
22	1	22190-160002	WASHER, 16	2							
23	1	114299-02030	RETAINER, BEARING	1							
24	1	114650-02150	BALL BEARING	1							
25	1	24162-152220	NEEDLE, 152220	1							
26	1	24423-355008	SEAL, OIL	1							
27	1	24423-355008	SEAL, OIL	1							
28	1	26106-080122	BOLT M 8X 12 PLATED	1							
29	1	114650-02200	MAIN BEARING US=0.25	1							2
30	1	114650-02210	MAIN BEARING US=0.50	1							3
31	1	114695-01330	GASKET ASSY,CYL.HEAD	1							
37	1	114299-01800	SHIM SET	1							
48	1	114699-01410	GASKET, CRANK CASE	1							
49	1	114310-01450	COVER(D, CRANK CASE	1							
52	2	114650-02100	BEARING, MAIN	1							1
54	1	23876-010000	PLUG PT1/8,SCREW	1							
55	1	22312-040080	PARALLEL PIN, M4X8	2							
56	1	23875-020000	PLUG PT1/4,STEEL	1							

Remarks

- (1)REPAIR PART.
- (2)UNDER SIZED(U.S.=0.25)PART.
- (3)UNDER SIZED(U.S.=0.50)PART.

Fig.2. CYLINDER HEAD & BONNET



OCR10-G59600 2. CYLINDER HEAD & BONNET

(A)=L100V6CF1T1AA

(B)=

(C)=

(D)=

(E)=

(F)=

REF.	LEV.	PARTS NO.	DESCRIPTION	Q'TY						I	R
				(A)	(B)	(C)	(D)	(E)	(F)		
1	1	114310-11020	HEAD ASSY, CYLINDER	1							
5	1	114310-11100	VALVE, INTAKE	1							
6	1	114310-11110	VALVE, EXHAUST	1							
7	1	114310-11120	SPRING, VALVE	2							
8	1	114310-11180	RETAINER, SPRING	2							
9	1	114310-11930	COTTER ASSY	2							
10	1	114210-11900	RETAINER, NOZZLE	1							
11	1	114310-11250	SUPPORT ASSY, ROCKER	1							
12	2	114310-11260	SUPPORT, ROCKER ARM	1							
13	2	114310-11280	C TYPE RETAINING RIN	2							
14	2	114310-11650	ARM ASSY, INTAKE	1							
16	3	114299-11240	SCREW, ADJUSTING	1							
17	3	26856-060002	NUT, M6	1							
18	2	114310-11660	ARM ASSY, EXHAUST	1							
20	3	114299-11240	SCREW, ADJUSTING	1							
21	3	26856-060002	NUT, M6	1							
22	1	114650-11340	SEAL, VALVE STEM	2							
23	1	104211-11370	CAP, VALVE	2							
24	1	114771-11461	GASKET, NOZZLE	1							1
25	1	114295-11470	SPACER, NOZZLE	1							1
26	1	114699-11600	WASHER	2							
27	1	22351-040008	SPRING PIN 4X 8	1							
28	1	26106-080502	BOLT M 8X 50 PLATED	2							
29	1	26226-060552	STUD M6X 55 PLATED	2							
30	1	26366-060002	NUT M 6	2							
31	1	114310-11310	GASKET, BONNET	1							
32	1	26106-060652	BOLT M 6X 65 PLATED	3							
33	1	114310-11950	BONNET ASSY, HEAD	1							
35	2	114210-03590	DECOMPRESSION ASSY	1							
38	2	114299-03640	SPRING, DECOMP.	1							
40	2	22312-030160	PARALLEL PIN, M3X16	1							

Remarks

(1)This parts is applied up to the following engine number.

(A)=EM21810

Please refer to Fig.7A since above-mentioned engine number.

Interchangeable by simultaneous replacement with Fig.7A No1,27,56,59, 60 when changing to the new model.

Fig.3. AIR CLEANER & MUFFLER

(A)=L100V6CF1T1AA

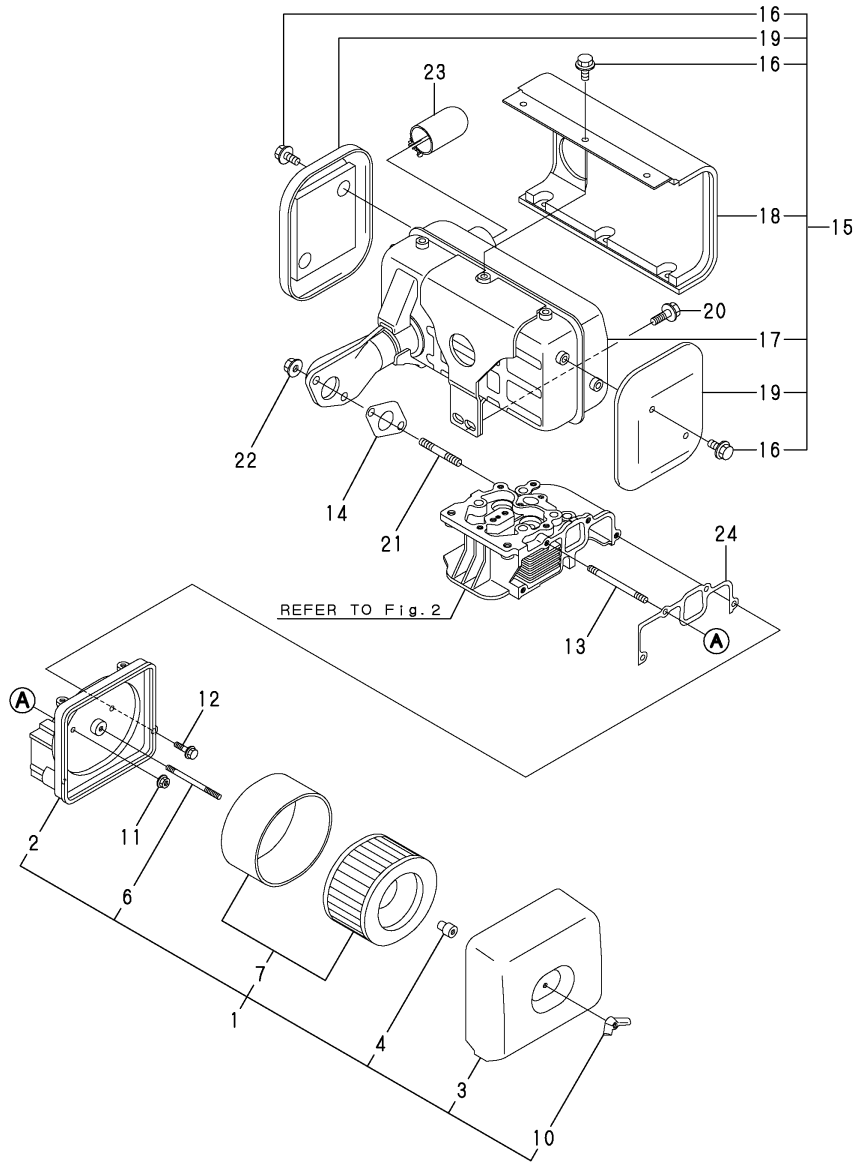
(B)=

(C)=

(D)=

(E)=

(F)=



REF.	LEV.	PARTS NO.	DESCRIPTION	QTY						I	R
				(A)	(B)	(C)	(D)	(E)	(F)		
1	1	114310-12510	CLEANER ASSY, AIR	1							
2	2	114310-12020	BODY, AIR CLEANER	1							
3	2	114210-12520	COVER, AIR CLEANER	1							
4	2	114210-12560	NUT, WING	1							
6	2	114210-12580	STUD BOLT	1							
7	2	114210-12590	ELEMENT ASSY	1							
10	2	114210-12600	LOCKING KNOB	1							
11	1	114299-12300	U-NUT	3							
12	1	26106-060402	BOLT M 6X 40 PLATED	1							
13	1	26226-060352	STUD M 6X 35 PLATED	3							
14	1	114310-13200	GASKET, MUFFLER	1							
15	1	114699-13551	MUFFLER ASSY	1							
16	2	114699-13720	BOLT, M6	10							
17	2	114699-13561	MUFFLER	1							
18	2	114699-13700	COVER A, MUFFLER	1							
19	2	114699-13710	COVER B, MUFFLER	2							
20	1	26106-080202	BOLT M 8X 20 PLATED	2							
21	1	26216-080182	STUD M 8X 18 PLATED	2							
22	1	26366-080002	NUT M 8	2							
23	1	114699-13800	EXTENSION, EXH.	1							
24	1	114310-12210	GASKET, AIR CLEANER	1							

Fig.4. CRANKSHAFT,PISTON & CAMSHAFT

OCR10-G59600 4. CRANKSHAFT,PISTON & CAMSHAFT

(A)=L100V6CF1T1AA

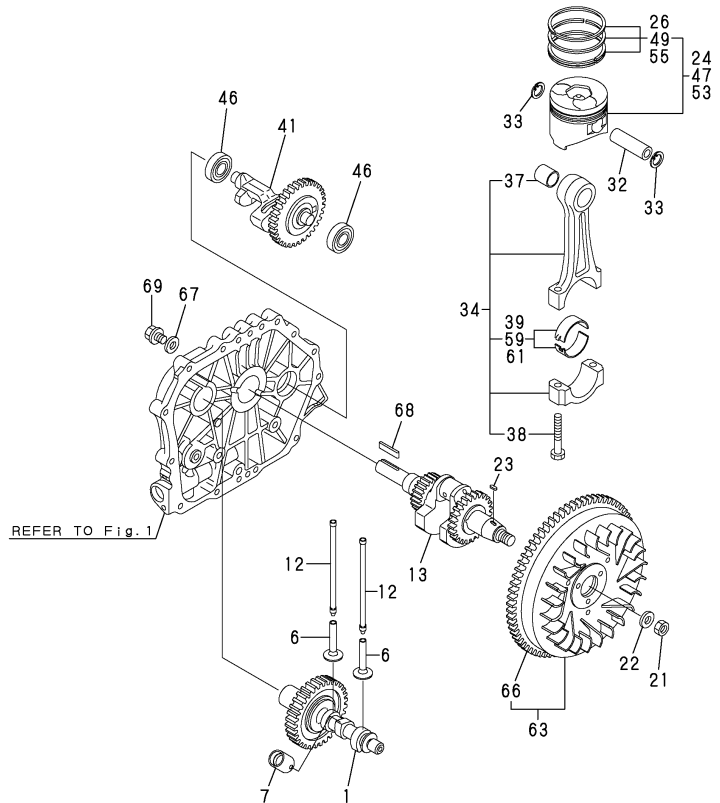
(B)=

(C)=

(D)=

(E)=

(F)=



REF.	LEV.	PARTS NO.	DESCRIPTION	QTY						I	R
				(A)	(B)	(C)	(D)	(E)	(F)		
1	1	714310-14580	CAMSHAFT ASSY	1							
6	1	114310-14200	TAPPET	2							
7	1	114210-14300	TAPPET ASSY, ROLLER	1							
12	1	114310-14400	ROD ASSY, PUSH	2							
13	1	714310-21700	CRANKSHAFT(E-D ASSY)	1							
21	1	114699-21220	NUT	1							
22	1	114699-21550	WASHER, FLYWHEEL	1							
23	1	22512-050140	KEY, 5X14	1							
24	1	714310-22720	PISTON W/RINGS (D)	1							
26	2	714310-22500	RING SET, PISTON	1							
32	1	114699-22300	PIN, PISTON	1							
33	1	129792-22400	CIRCLIP, 23	2							
34	1	714310-23700	ROD ASSY, CONNECTING	1							
37	2	124060-23100	BUSH, PISTON PIN	1							
38	2	119810-23200	BOLT, CONNECTING ROD	2							
39	2	714650-23600	BEARING, CRANKPIN	1							
41	1	714310-28510	SHAFT ASSY, BALANCER	1							
46	1	24101-063040	BALL BEARING	2							
47	1	714310-22620	PISTON W/RING OS=.25	1							1
49	2	714310-22540	RING SET O.S.=0.25	1							1
53	1	714310-22580	PISTON W/RING OS=0.5	1							2
55	2	714310-22550	RING SET O.S.=0.50	1							2
59	1	714650-23610	BEARING,PIN(U.S.=0.25)	1							3
61	1	714650-23620	BEARING,PIN(U.S.=0.50)	1							4
63	1	114699-21590	FLYWHEEL ASSY	1							
66	2	114662-21601	GEAR, RING	1							
67	1	160842-21260	WASHER	1							
68	1	160842-21150	KEY, 6.3X50	1							
69	1	160842-21250	BOLT 7/16-20UNF	1							

Remarks

- (1)OVER SIZED(O.S.=0.25)PART.
- (2)OVER SIZED(O.S.=0.50)PART.
- (3)UNDER SIZED(U.S.=0.25)PART.
- (4)UNDER SIZED(U.S.=0.50)PART.



Fig.5. LUB.OIL PUMP & GOVERNOR

(A)=L100V6CF1T1AA

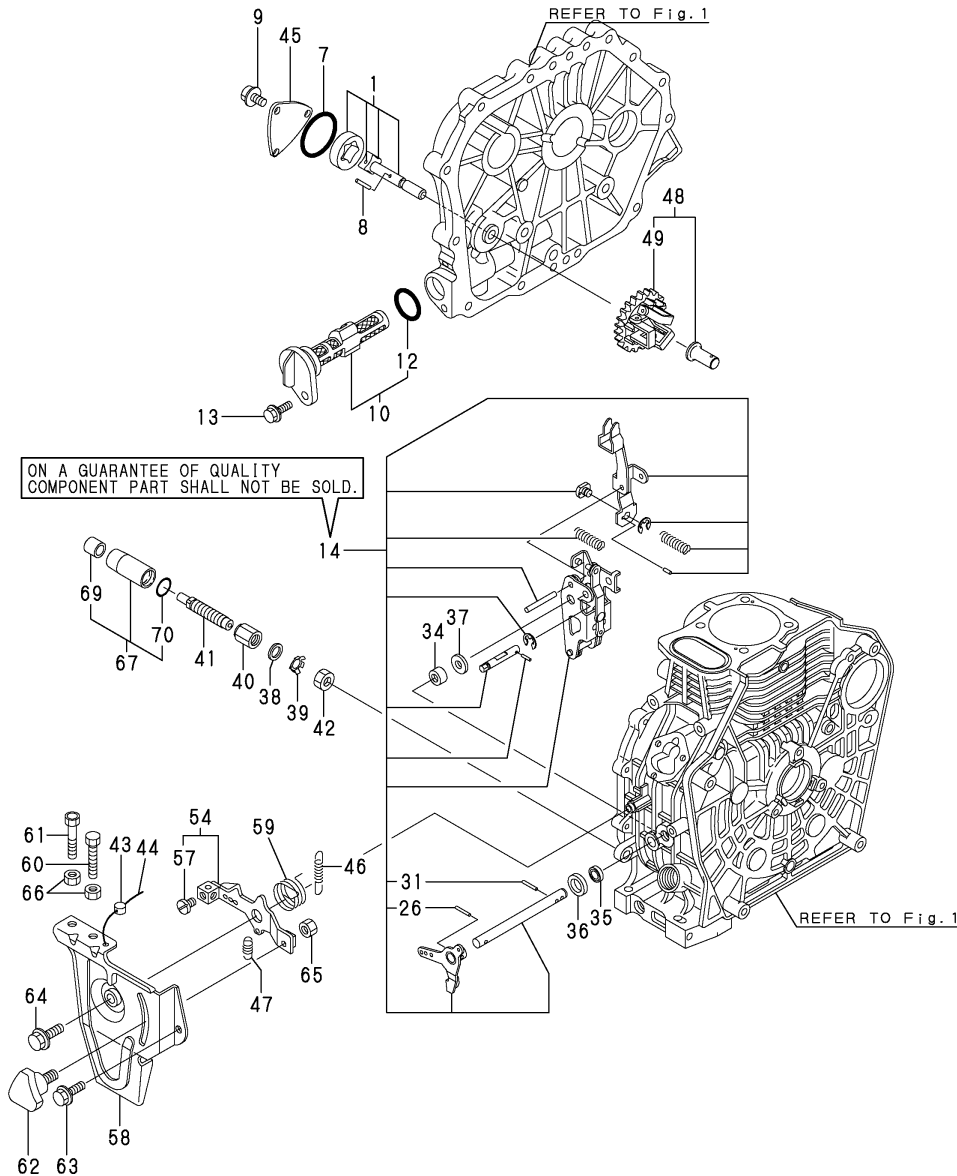
(B)=

(C)=

(D)=

(E)=

(F)=



REF.	LEV.	PARTS NO.	DESCRIPTION	QTY						I	R
				(A)	(B)	(C)	(D)	(E)	(F)		
1	1	114650-32010	PUMP ASSY, LUB.OIL	1							
7	1	114299-32570	O-RING, COVER	1							
8	1	22312-030160	PARALLEL PIN, M3X16	1							
9	1	26106-060122	BOLT M 6X 12 PLATED	3							
10	1	114299-35110	FILTER CMP, LUB.OIL	1							
12	2	24341-000224	O-RING 1A S-22.4	1							
13	1	26106-060162	BOLT M 6X 16 PLATED	1							
14	1	114310-61500	LEVER ASSY, GOVERNOR	1							
26	2	22322-030200	TAPER PIN, 3X20	1							
31	2	22322-030200	TAPER PIN, 3X20	1							
34	1	114770-61520	BEARING, NEEDLE	2							
35	1	114299-61600	SEAL, OIL	1							
36	1	114770-61610	WASHER, THRUST	1							
37	1	114299-61190	WASHER, GOVERNOR	1							
38	1	114771-61810	WASHER, PLAIN 14	1							
39	1	114771-61830	PLATE	1							
40	1	114295-61940	NUT	1							
41	1	114771-66600	LIMITER ASSY, FUEL	1							
42	1	114771-66690	NUT M14	1							
43	1	135210-61090	LEAD	1							
44	1	22451-060000	WIRE, 0.6	1							
45	1	114299-32070	COVER, LUB. OIL PUMP	1							
46	1	114310-66010	SPRING, REGULATOR	1							
47	1	114299-66200	SPRING, RETURN	1							
48	1	714210-61700	GOVERNOR ASSY	1							
49	2	114210-61290	WEIGHT ASSY, GOVERNOR	1							
54	1	114210-66060	HANDLE ASSY, REGULATOR	1							
57	2	26117-050089	BOLT, M5X8	1							
58	1	114210-66100	BRACKET, REGULATOR	1							
59	1	114299-66250	SPRING, RETURN	1							
60	1	114299-66440	BOLT, ADJUSTING	1							
61	1	114299-67080	BOLT, ADJUSTING	1							
62	1	160725-78350	KNOB, M6X15	1							
63	1	26106-060142	BOLT M 6X 14 PLATED	1							
64	1	26106-060202	BOLT M 6X 20 PLATED	1							
65	1	26347-060002	U-NUT M 6	1							
66	1	26757-060002	NUT M 6	2							
67	1	114771-61890	PROTECTOR ASSY	1							
69	2	114771-61960	SPACER	1							
70	2	24311-000180	O-RING 1A P-18.0	1							

Fig.6. COOLING & STARTING DEVICE

(A)=L100V6CF1T1AA

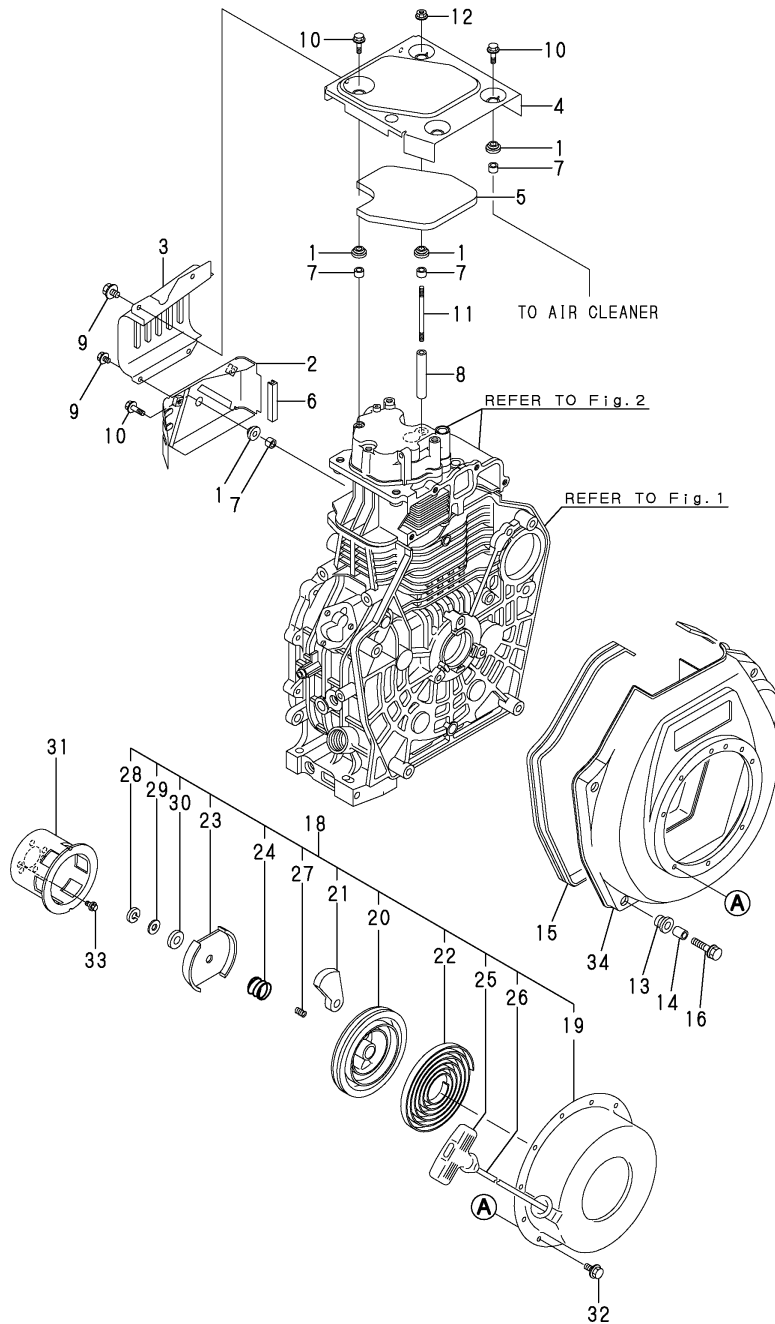
(B)=

(C)=

(D)=

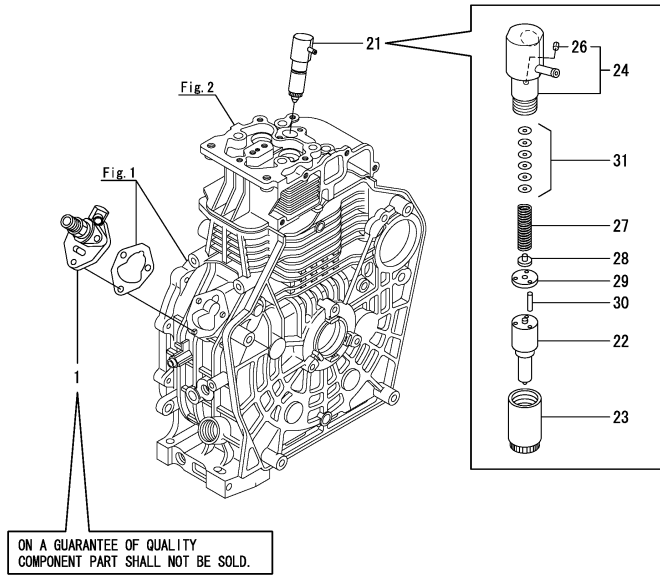
(E)=

(F)=



REF.	LEV.	PARTS NO.	DESCRIPTION	QTY						I	R
				(A)	(B)	(C)	(D)	(E)	(F)		
1	1	114299-45220	GROMMET, TANK	5							
2	1	114310-45260	COVER B, SIDE (13)	1							
3	1	114310-45270	COVER A, SIDE (13)	1							
4	1	114310-45300	COVER, TOP(BLACK)(13)	1							
5	1	114310-45310	DAMPER	1							
6	1	114399-45320	RUBBER, SEAL	1							
7	1	114399-45340	COLLAR, CYL.COVER	5							
8	1	114310-45350	SPACER, TOP COVER	1							
9	1	26106-060082	BOLT M 6X 8 PLATED	4							
10	1	26106-060202	BOLT M 6X 20 PLATED	4							
11	1	26226-060752	STUD M 6X 75	1							
12	1	26366-060002	NUT M 6	1							
13	1	114299-45300	RUBBER, CUSHION	4							
14	1	114299-45310	COLLAR, FAN CASE	4							
15	1	114699-45330	SEAL, FAN CASE	1							
16	1	114299-45350	BOLT, FAN CASE	4							
18	1	114699-76250	RECOIL ASSY	1							
19	2	114699-76510	CASE, STARTER	1							
20	2	114699-76520	REEL, RECOIL	1							
21	2	114699-76530	RATCHET	2							
22	2	114699-76540	SPRING, SPIRAL	1							
23	2	114699-76550	GUIDE, RATCHET	1							
24	2	114699-76560	SPRING, FRICTION	1							
25	2	114699-76620	KNOB, STARTER	1							
26	2	114699-76630	ROPE, STARTER	1							
27	2	114699-76650	SPRING, RETURN	1							
28	2	114699-76660	RETAINING RING	1							
29	2	114699-76670	WASHER	1							
30	2	114699-76680	WASHER IN NYLON	1							
31	1	114699-76592	PULLEY, STARTER	1							
32	1	26106-060082	BOLT M 6X 8 PLATED	4							
33	1	26106-060122	BOLT M 6X 12 PLATED	3							
34	1	114310-45100	FAN CASE(SILVER)(17)	1							

# Fig.7. FUEL INJECTION PUMP & FUEL INJECTION VALVE



ON A GUARANTEE OF QUALITY  
COMPONENT PART SHALL NOT BE SOLD.

**Remarks**

(1) This parts is applied up to the following engine number.  
(A)=EM21810  
Please refer to Fig.7A since above-mentioned engine number.  
Interchangeable by simultaneous replacement with Fig.7A No1,27,56,59, 60 when changing to the new model.

## OCR10-G59600 7. FUEL INJECTION PUMP & FUEL INJECTION VALVE

(A)=L100V6CF1T1AA

(B)=

(C)=

(D)=

(E)=

(F)=

REF.	LEV.	PARTS NO.	DESCRIPTION	Q'TY						I	R
				(A)	(B)	(C)	(D)	(E)	(F)		
1	1	714310-51100	PUMP ASSY, F.INJECT.	1							1
21	1	714310-53100	FUEL INJECTOR	1							1
22	2	114310-53000	NOZZLE ASSY	1							
23	2	114210-53080	NUT,NOZZLE	1							
24	2	114210-53100	HOLDER ASSY,NOZZLE	1							
26	3	114210-53330	PIN	1							
27	2	114210-53120	SPRING,NOZZLE	1							
28	2	114210-53130	SEAT,SPRING	1							
29	2	114210-53140	SPACER ASSY,VALVE	1							
30	2	114210-53210	PIN	2							
31	2	114210-53400	SHIM SET	1							

Fig.10. (7A)FUEL INJECTION PUMP & FUEL INJECTION VALVE

(A)=L100V6CF1T1AA

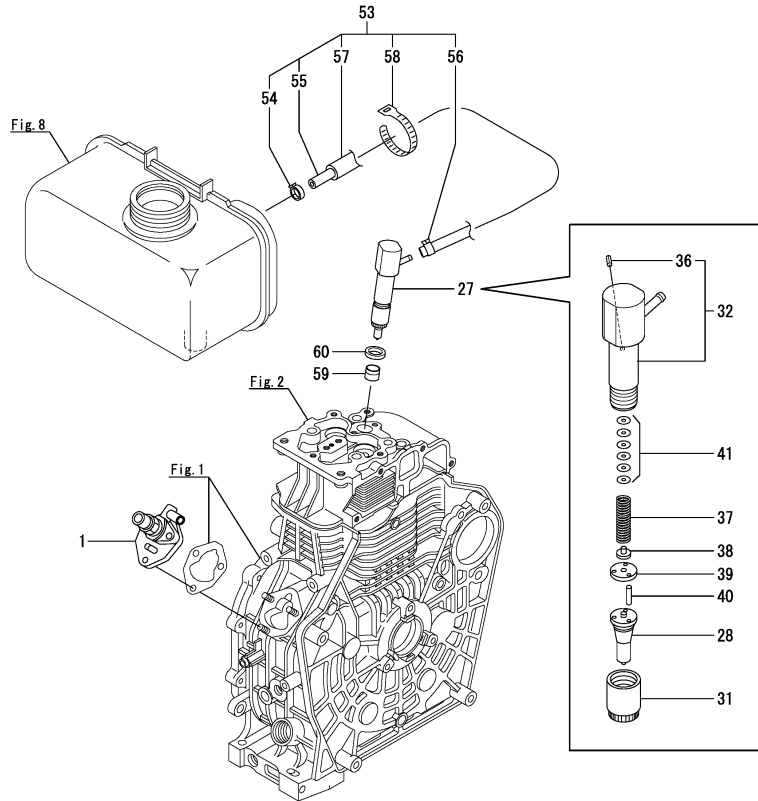
(B)=

(C)=

(D)=

(E)=

(F)=



REF.	LEV.	PARTS NO.	DESCRIPTION	Q'TY						I	R	
				(A)	(B)	(C)	(D)	(E)	(F)			
1	1	714349-51400 (A=EM21811)	F.I.PUMP ASSY	1							W	1
27	1	714349-53100 (A=EM21811)	FUEL INJECTOR	1								W
28	2	114339-53000	NOZZLE ASSY	1								
31	2	114250-53080	NUT, CASE	1								
32	2	114339-53100	HOLDER ASSY, NOZZLE	1								
36	3	22351-025005	SPRING PIN 2.5AX 6	1								
37	2	114250-53120	SPRING, NOZZLE	1								
38	2	114250-53130	SEAT, SPRING	1								
39	2	114250-53140	PLATE, STOP	1								
40	2	114250-53210	PIN	2								
41	2	114250-53400	SHIM SET	1								
53	1	114339-59300 (A=EM21811)	PIPE ASSY, RETURN	1								W
54	2	124722-59050 (A=EM21811)	CLIP, HOSE	1								W
55	2	114310-59060 (A=EM21811)	PIPE, FUEL RETURN	1								W
56	2	124066-59100 (A=EM21811)	CLIP, HOSE	1								W
57	2	114310-59310 (A=EM21811)	HOSE, PROTECT	1								W
58	2	121750-59890 (A=EM21811)	CLAMP 140	1								W
59	1	114240-11450 (A=EM21811)	PROTECTOR, NOZZLE	1								W
60	1	114240-11550 (A=EM21811)	SEAT, NOZZLE	1								W

Remarks

\*Parts of this figure are executed since the following engine number.

\*(A)=EM21811

\*Please refer to Fig.7 before above-mentioned engine number.

(1)On a guarantee of quality component part shall not be sold.

Fig.8. FUEL TANK & FUEL PIPE

(A)=L100V6CF1T1AA

(B)=

(C)=

(D)=

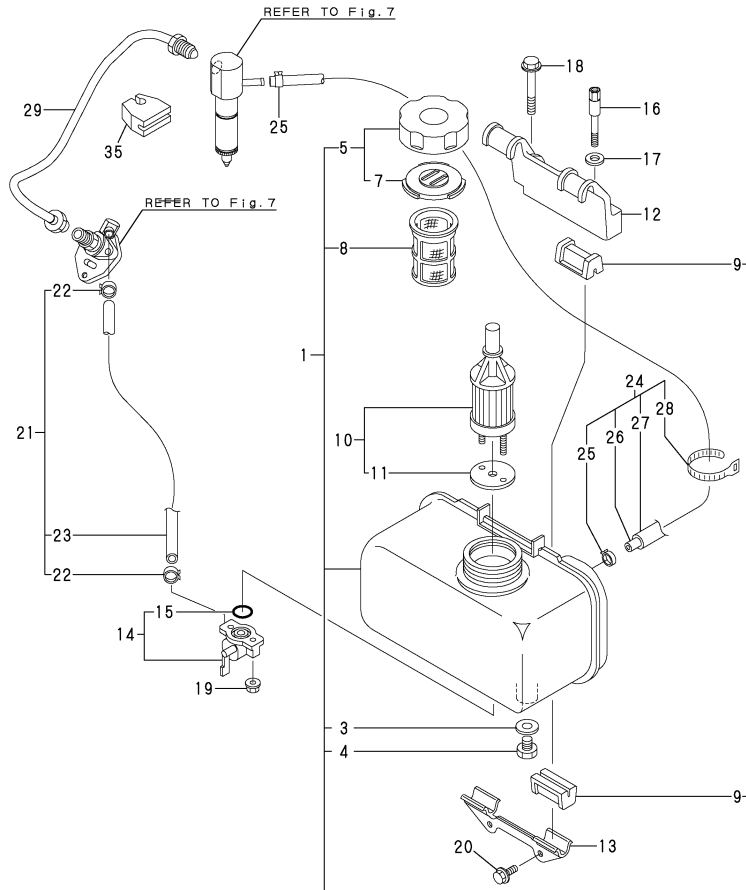
(E)=

(F)=

QTY

(A) (B) (C) (D) (E) (F)

I R



REF.	LEV.	PARTS NO.	DESCRIPTION	(A)	(B)	(C)	(D)	(E)	(F)	I	R
1	1	714310-55700	TANK ASSY,FUEL(BLACK	1							
3	3	23414-080000	GASKET 8, ROUND	1							
4	3	105300-55080	PLUG, DRAIN	1							
5	2	114288-55041	CAP ASSY, FUEL TANK	1							
7	3	114288-55081	VALVE	1							
8	2	114299-55100	FILTER, FUEL OIL	1							
9	2	114250-55201	DAMPER, FUEL TANK	4							
10	1	114250-55121	FILTER ASSY, FUEL	1							
11	2	114250-55130	GASKET	1							
12	1	114310-55230	STAY B, FUEL TANK	1							
13	1	114210-55210	STAY A, FUEL TANK	1							
14	1	114250-55301	COCK ASSY, FUEL	1							
15	2	24341-000150	O-RING 1A S-15.0	1							
16	1	114210-55810	BOLT, LIFTING	1							
17	1	22117-080000	WASHER 8	1							
18	1	26106-080452	BOLT M 8X 45 PLATED	1							
19	1	26366-060002	NUT M 6	2							
20	1	26106-060162	BOLT M 6X 16 PLATED	2							
21	1	114770-59030	PIPE ASSY, FUEL OIL	1							
21-1	1	114780-59010	PIPE ASSY, FUEL OIL	1							N
		(A=EXXXXX)									
22	2	114270-59010	CLIP, HOSE	2							
22-1	2	23080-014000	CLAMP 14	2							N
		(A=EXXXXX)									
23	2	114268-59061	PIPE, FUEL OIL	1							
23-1	2	114780-59060	PIPE, FUEL OIL	1							N
		(A=EXXXXX)									
24	1	114310-59300	PIPE ASSY, RETURN	1							1
25	2	124722-59050	CLIP, HOSE	2							
26	2	114310-59060	PIPE, FUEL RETURN	1							
27	2	114310-59310	HOSE, PROTECT	1							
28	2	121750-59890	CLAMP 140	1							
29	1	114310-59800	PIPE ASSY, INJECTION	1							
35	1	114650-59850	BRACKET, PIPE	1							

Remarks

(1)This parts is applied up to the following engine number.

(A)=EM21810

Please refer to Fig.7A since above-mentioned engine number.

Interchangeable by simultaneous replacement with Fig.7A No1,27,56,59, 60 when changing to the new model.

Fig.9. TOOL,LABEL & GASKET SET

(A)=L100V6CF1T1AA

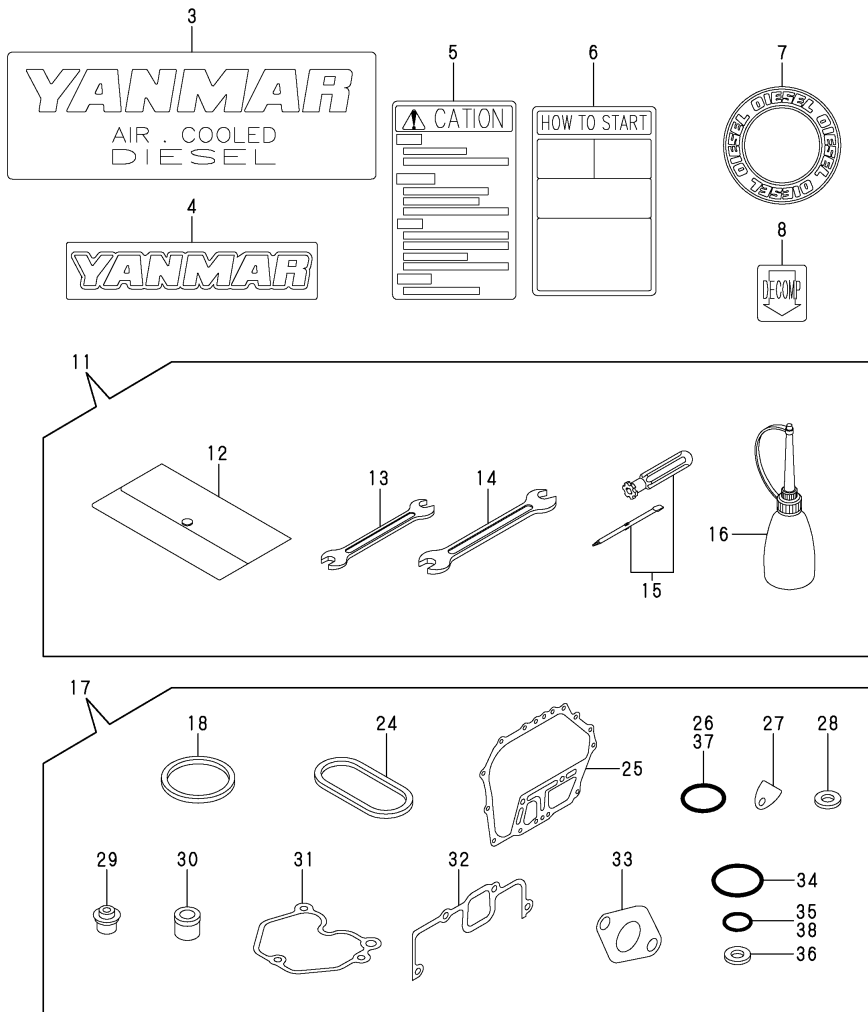
(B)=

(C)=

(D)=

(E)=

(F)=



REF.	LEV.	PARTS NO.	DESCRIPTION	Q'TY						I	R
				(A)	(B)	(C)	(D)	(E)	(F)		
3	1	114299-07100	LABEL, AIR COOLED	1							
4	1	114299-07110	LABEL, YANMAR	1							
5	1	114299-07120	LABEL, CAUTION	1							
6	1	114299-07140	LABEL, HOW TO START	1							
7	1	114299-07160	LABEL, DIESEL	1							
8	1	114210-07200	LABEL, DECOMPRESSION	1							
11	1	114299-92590	TOOL ASSY	1							
12	2	114299-92600	TOOL BAG	1							
13	2	114299-92710	WRENCH	1							
14	2	114299-92720	WRENCH	1							
15	2	114299-92730	DRIVER	1							
16	2	114299-92740	FITTING, FUEL	1							
17	1	714310-92600	GASKET SET	1							1
18	2	114695-01330	GASKET ASSY,CYL.HEAD	1							
24	2	114699-01380	O-RING	1							
25	2	114699-01410	GASKET, CRANK CASE	1							
26	2	114299-01950	O-RING	2							
27	2	114250-01841	GASKET, COVER	1							
28	2	22190-160002	WASHER, 16	2							
29	2	114650-11340	SEAL, VALVE STEM	2							
30	2	114771-11461	GASKET, NOZZLE	1							
31	2	114310-11310	GASKET, BONNET	1							
32	2	114310-12210	GASKET, AIR CLEANER	1							
33	2	114310-13200	GASKET, MUFFLER	1							
34	2	114299-32570	O-RING, COVER	1							
35	2	24341-000100	O-RING 1A S-10.0	1							
36	2	23414-080000	GASKET 8, ROUND	1							
37	2	24341-000224	O-RING 1A S-22.4	1							
38	2	24341-000150	O-RING 1A S-15.0	1							

Remarks  
(1)OPTIONAL

N:Old  $\xleftrightarrow{\text{Yes/No}}$  New, Q:Old  $\xleftrightarrow{\text{No/Yes}}$  New, R:Old  $\xleftrightarrow{\text{Yes/No}}$  New, S:Old  $\xleftrightarrow{\text{No/Yes}}$  New, W:Add, Z:Discontinued, F:Interchangeable by set, K:Q'ty Change

## Part Number Index

All parts are stipulated in the order of part numbers.

(Depending on the area in which the part is used.)

This index will display the location of the part according to each part number.

## PARTS No. INDEX

PARTS No.	Fig.	Ref.No.
104211-11370	2	23
105300-55080	8	4
114210-03590	2	35
114210-07200	9	8
114210-11900	2	10
114210-12520	3	3
114210-12560	3	4
114210-12580	3	6
114210-12590	3	7
114210-12600	3	10
114210-14300	4	7
114210-53080	7	23
114210-53100	7	24
114210-53120	7	27
114210-53130	7	28
114210-53140	7	29
114210-53210	7	30
114210-53330	7	26
114210-53400	7	31
114210-55210	8	13
114210-55810	8	16
114210-61290	5	49
114210-66060	5	54
114210-66100	5	58
114240-11450	10	59
114240-11550	10	60
114250-01841	1	11
	9	27
114250-53080	10	31
114250-53120	10	37
114250-53130	10	38
114250-53140	10	39
114250-53210	10	40
114250-53400	10	41
114250-55121	8	10
114250-55130	8	11
114250-55201	8	9
114250-55301	8	14
114268-59061	8	23
114270-59010	8	22
114288-55041	8	5
114288-55081	8	7
114295-11470	2	25
114295-61940	5	40
114299-01600	1	12
114299-01690	1	18
114299-01800	1	37
114299-01830	1	7
114299-01950	1	21
	9	26

PARTS No.	Fig.	Ref.No.
114299-02030	1	23
114299-03640	2	38
114299-07100	9	3
114299-07110	9	4
114299-07120	9	5
114299-07140	9	6
114299-07160	9	7
114299-11240	2	16
		20
114299-12300	3	11
114299-32070	5	45
114299-32570	5	7
	9	34
114299-35110	5	10
114299-35150	1	16
114299-45220	6	1
114299-45300	6	13
114299-45310	6	14
114299-45350	6	16
114299-55100	8	8
114299-61190	5	37
114299-61600	5	35
114299-66200	5	47
114299-66250	5	59
114299-66440	5	60
114299-67080	5	61
114299-92590	9	11
114299-92600	9	12
114299-92710	9	13
114299-92720	9	14
114299-92730	9	15
114299-92740	9	16
114310-01010	1	1
114310-01200	1	8
114310-01210	1	9
114310-01450	1	49
114310-11020	2	1
114310-11100	2	5
114310-11110	2	6
114310-11120	2	7
114310-11180	2	8
114310-11250	2	11
114310-11260	2	12
114310-11280	2	13
114310-11310	2	31
	9	31
114310-11650	2	14
114310-11660	2	18
114310-11930	2	9
114310-11950	2	33

PARTS No.	Fig.	Ref.No.
114310-12020	3	2
114310-12210	3	24
	9	32
114310-12510	3	1
114310-13200	3	14
	9	33
114310-14200	4	6
114310-14400	4	12
114310-45100	6	34
114310-45260	6	2
114310-45270	6	3
114310-45300	6	4
114310-45310	6	5
114310-45350	6	8
114310-53000	7	22
114310-55230	8	12
114310-59060	8	26
	10	55
114310-59300	8	24
114310-59310	8	27
	10	57
114310-59800	8	29
114310-61500	5	14
114310-66010	5	46
114339-53100	10	32
114339-59300	10	53
114349-53000	10	28
114399-01700	1	5
114399-45320	6	6
114399-45340	6	7
114650-02100	1	52
114650-02150	1	24
114650-02200	1	29
114650-02210	1	30
114650-11340	2	22
	9	29
114650-32010	5	1
114650-59850	8	35
114662-21601	4	66
114695-01330	1	31
	9	18
114699-01380	1	10
	9	24
114699-01410	1	48
	9	25
114699-01760	1	19
114699-11600	2	26
114699-13551	3	15
114699-13561	3	17
114699-13700	3	18

PARTS No.	Fig.	Ref.No.
114699-13710	3	19
114699-13720	3	16
114699-13800	3	23
114699-21220	4	21
114699-21550	4	22
114699-21590	4	63
114699-22300	4	32
114699-45330	6	15
114699-76250	6	18
114699-76510	6	19
114699-76520	6	20
114699-76530	6	21
114699-76540	6	22
114699-76550	6	23
114699-76560	6	24
114699-76592	6	31
114699-76620	6	25
114699-76630	6	26
114699-76650	6	27
114699-76660	6	28
114699-76670	6	29
114699-76680	6	30
114770-59030	8	21
114770-61520	5	34
114770-61610	5	36
114771-11461	2	24
	9	30
114771-61810	5	38
114771-61830	5	39
114771-61890	5	67
114771-61960	5	69
114771-66600	5	41
114771-66690	5	42
114780-59010	8	21 -1
114780-59060	8	23 -1
119810-23200	4	38
121750-59890	8	28
	10	58
124060-23100	4	37
124066-59100	10	56
124722-59050	8	25
	10	54
129792-22400	4	33
135210-61090	5	43
160725-78350	5	62
160842-21150	4	68
160842-21250	4	69
160842-21260	4	67
714210-61700	5	48
714310-14580	4	1



MODEL : L100V6CF1T1AA  
PC NO : 0CR10-G59600

## PARTS No. INDEX

PARTS No.	Fig.	Ref.No.
714310-21700	4	13
714310-22500	4	26
714310-22540	4	49
714310-22550	4	55
714310-22580	4	53
714310-22620	4	47
714310-22720	4	24
714310-23700	4	34
714310-28510	4	41
714310-51100	7	1
714310-53100	7	21
714310-55700	8	1
714310-92600	9	17
714349-51400	10	1
714349-53100	10	27
714650-23600	4	39
714650-23610	4	59
714650-23620	4	61

PARTS No.	Fig.	Ref.No.
-----------	------	---------

PARTS No.	Fig.	Ref.No.
-----------	------	---------

PARTS No.	Fig.	Ref.No.
-----------	------	---------



**YANMAR CO.,LTD.**