



PARTS CATALOG

Published 2010/12 (Dec.)

0CR10-G51600

PREFACE

- 1.This Parts Catalog carries all parts incorporated in YANMAR Model L100EE-D & L100EE-DE & L100EE-DG & L100EE-DEG & L100EE-DP & L100EE-DEP engine manufactured since April,2000.
- 2.Each illustration corresponds to the parts list on the followingpage.
- 3.When ordering parts,clearly write down the engine model and serial number,as well as the name and number of each part in your order sheet. This will help insure reliable delivery of the parts youhave ordered.

Directions for the Parts Catalog.

1. The parts stipulated in this Parts Catalog are not necessarily standard equipped parts.
2. Parts may change without prior notice.
3. The following is an example of the Parts Catalog format.

OCF10-G21601 29. FUEL INJECTION PUMP(W/BOOST)

REF.	LEV.	PARTS NO.	DESCRIPTION	Q'TY						I	R
				(A)	(B)	(C)	(D)	(E)	(F)		
1	1	729595-51390	FUEL INJECTION PUMP	1	1	1	1	1			1
1-1	1	729595-51391	FUEL INJECTION PUMP	1	1	1	1	1		N	1
		(A=E00185) (B=E00200)									
3	2	26022-060162	SCREW M 6X 16	9	9	9	9	9			
3-1	2	26022-060162	SCREW M 6X 16	4	4	4	4	4		K	
		(A=E00156) (B=E00156) (C=E00156) (D=E00156) (E=E00156)									
4	2	129470-51040	CAMSHAFT	1	1	1	1	1			
5	2	122710-51050	BEARING, ROLLER	2	2	2	2	2			
6	2	129470-51060	RETAINER	1	1	1	1	1			

Remarks

(1) BOOST COMPEMSATOR TYPE. OPTIONAL PART, TO E00155,(4JH-DT, 4JH-DTZ

① Ref. No.

The Ref. No. listed may not be in accordance with the illustration Ref. No.

(Ex.) Illustration No.

List Ref No.

1

1

(Before change)

1-1

(After change)

For interchangeable symbols N, R and K, illustrations for new parts may be abbreviated.

② Lev. (Level)

Level indication

The numbers below indicate the level of relativity towards the main part.

1 ----- Main parts (Assembly parts)

2 ----- Sub component included in " 1 ".

3 ----- Sub component included in " 2 ".

Note) Parts that are not for sale are partially illustrated but not listed.

③ Interchangeability Mark

When a part change takes place, one of the following interchangeability symbols is indicated beside the part.

Symbol	Interchangeability	Contents note
N	Old $\begin{matrix} \leftarrow \text{Yes} \\ \text{No} \rightarrow \end{matrix}$ New	New Part is interchangeable for Old Part but Old Part is not interchangeable for New Part.
Q	Old $\begin{matrix} \leftarrow \text{No} \\ \text{Yes} \rightarrow \end{matrix}$ New	New Part is not interchangeable for Old Part but Old Part is interchangeable for New Part.
R	Old $\begin{matrix} \leftarrow \text{Yes} \\ \text{Yes} \rightarrow \end{matrix}$ New	New/ Old Parts are both interchangeable.
S	Old $\begin{matrix} \leftarrow \text{No} \\ \text{No} \rightarrow \end{matrix}$ New	New/ Old Parts are both not interchangeable.
W		Part newly added.
Z		Part discontinued.
F		Not interchangeable by a single part but interchangeable together with related parts.
K		Changes only for used parts quantities.

④ Effective Machine No.

When a part changes, the effective Machine No. will be indicated in the (A)-(F) column.

Product Symbol	Product No.	Product Symbol	Product No.
C	Clutch No. Compressor No.	F	Machine No. (Agricultural Equip.)
D	Drive No.	M	Machine No.
E	Engine No.		

Note 1) A date may follow the symbol. (Ex.) 1996.01

Note 2) "XXXXX" and "ZZZZZ" are for parts that could not be predicted or for engine models that could not be identified.

Note 3) (A=E00185) is the E (Engine Serial Number) for the column (A) model (in this case 4JH-DT) after the parts design change.

⑤ Remarks Mark

Figures or alphabets (symbols) are entered in the remarks column.

The comments (remarks) on parts that are indicated at the bottom of the illustration are the same symbols as those stated above.

CONTENTS

MODEL : L100EE-D(E),DG,DP
PC NO : 0CR10-G51600

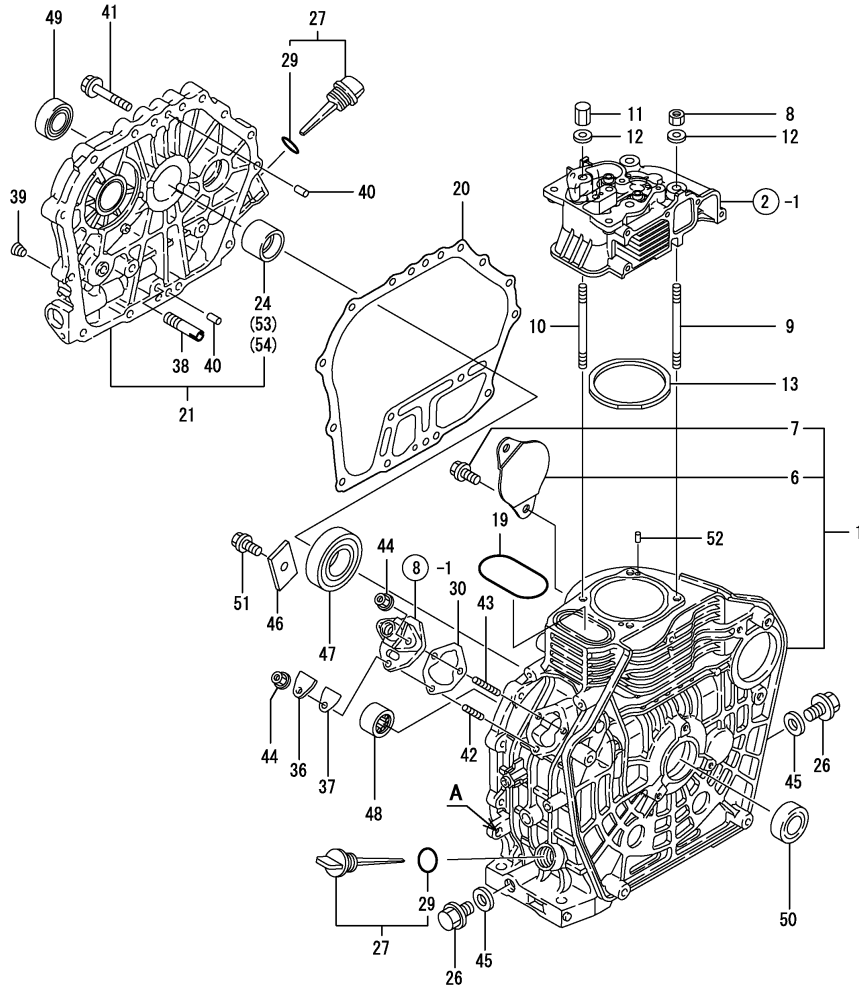
Fig.No. GROUP NAME
L100EE-D(E),D(E)G,D(E)P

Fig.No. GROUP NAME

1. CYLINDER BLOCK
2. CYLINDER HEAD & BONNET
3. AIR CLEANER
4. MUFFLER
5. CRANKSHAFT,PISTON & CAMSHAFT
6. LUB.OIL PUMP & GOVERNOR
7. COOLING & STARTING DEVICE
8. FUEL INJECTION PUMP
9. FUEL TANK & FUEL LINE
10. STARTING MOTOR & DYNAMO
11. TOOL,LABEL & GASKET SET

Fig.1. CYLINDER BLOCK

発行No. 000Y00R5160-1
更新年月: 2004.04
REVISED: Apr., 2004



OCR10-G51600 1. CYLINDER BLOCK

(A)=L100EE-D
(B)=L100EE-DE
(C)=L100EE-DG

(D)=L100EE-DEG
(E)=L100EE-DP
(F)=L100EE-DEP

REF.	LEV.	PARTS NO.	DESCRIPTION	QTY						I	R
				(A)	(B)	(C)	(D)	(E)	(F)		
1	1	714970-01560	BLOCK ASSY, CYLINDER	1	1	1	1	1	1		
I	1-1	714655-01560	BLOCK ASSY, CYLINDER	1	1	1	1	1	1	1	S 3
		(A=E04349) (B=E03013) (C=E09240) (D=E11856) (E=E05394) (F=E02179)									
6	2	114350-01700	COVER, STARTER	1	1	1	1	1	1		
7	2	26106-100122	BOLT M10X 12 PLATED	2	2	2	2	2	2		
8	1	105025-01220	NUT 10	2	2	2	2	2	2		
9	1	114650-01230	STUD, CYL. HEAD	2	2	2	2	2	2		
10	1	114650-01240	STUD, CYL. HEAD	2	2	2	2	2	2		
11	1	114650-01250	NUT 10	2	2	2	2	2	2		
12	1	114650-01260	WASHER	4	4	4	4	4	4		
13	1	114651-01330	GASKET,CYL. HEAD CMP	1	1	1	1	1	1		
19	1	114650-01380	O-RING	1	1	1	1	1	1		
20	1	114650-01412	GASKET, CRANK CASE	1	1	1	1	1	1		
21	1	114660-01471	COVER (D),CRANK CASE	1	1	1	1	1	1		
24	2	114650-02100	BEARING, MAIN	1	1	1	1	1	1		1
26	1	105425-01690	PLUG M16	2	2	2	2	2	2		
27	1	114699-01760	CAP, W/LUB.OIL GAUGE	2	2	2	2	2	2		
29	2	114299-01950	O-RING	2	2	2	2	2	2		
30	1	114250-01800	SHIM SET	1	1	1	1	1	1		
36	1	114250-01830	COVER, INSPEC.WINDOW	1	1	1	1	1	1		
37	1	114250-01841	GASKET, COVER	1	1	1	1	1	1		
38	1	114250-35150	PIPE, L.O. INLET	1	1	1	1	1	1		
39	1	23876-010000	PLUG PT1/8,SCREW	1	1	1	1	1	1		
40	1	114270-01600	PARALLEL PIN 8X12	2	2	2	2	2	2		
41	1	26106-080352	BOLT M 8X 35 PLATED	16	16	16	16	16	16		
42	1	26226-060182	STUD M 6X 18 PLATED	1	1	1	1	1	1		
43	1	26226-060222	STUD M 6X 22 PLATED	2	2	2	2	2	2		
44	1	26366-060002	NUT M 6	3	3	3	3	3	3		
45	1	22190-160002	SEAL WASHER 16S	2	2	2	2	2	2		
46	1	114299-02030	RETAINER	1	1	1	1	1	1		
47	1	114650-02150	BALL BEARING	1	1	1	1	1	1		
48	1	24162-152112	NEEDLE BEARING	1	1	1	1	1	1		
49	1	24423-355008	SEAL, OIL	1	1	1	1	1	1		
50	1	24423-355008	SEAL, OIL	1	1	1	1	1	1		
51	1	26106-080122	BOLT M 8X 12 PLATED	1	1	1	1	1	1		
52	1	22312-040080	PIN 4X8,STRAIGHT	2	2	2	2	2	2		
53	1	114650-02200	MAIN BEARING US=0.25	1	1	1	1	1	1		2
54	1	114650-02210	MAIN BEARING US=0.50	1	1	1	1	1	1		2

Remarks

- (1) REPAIR PART.
- (2) UNDER-SIZED PART.
- (3) A= REF.NO.1 M10 X 1.25, REF.NO.1-1 M14 X 1.25.

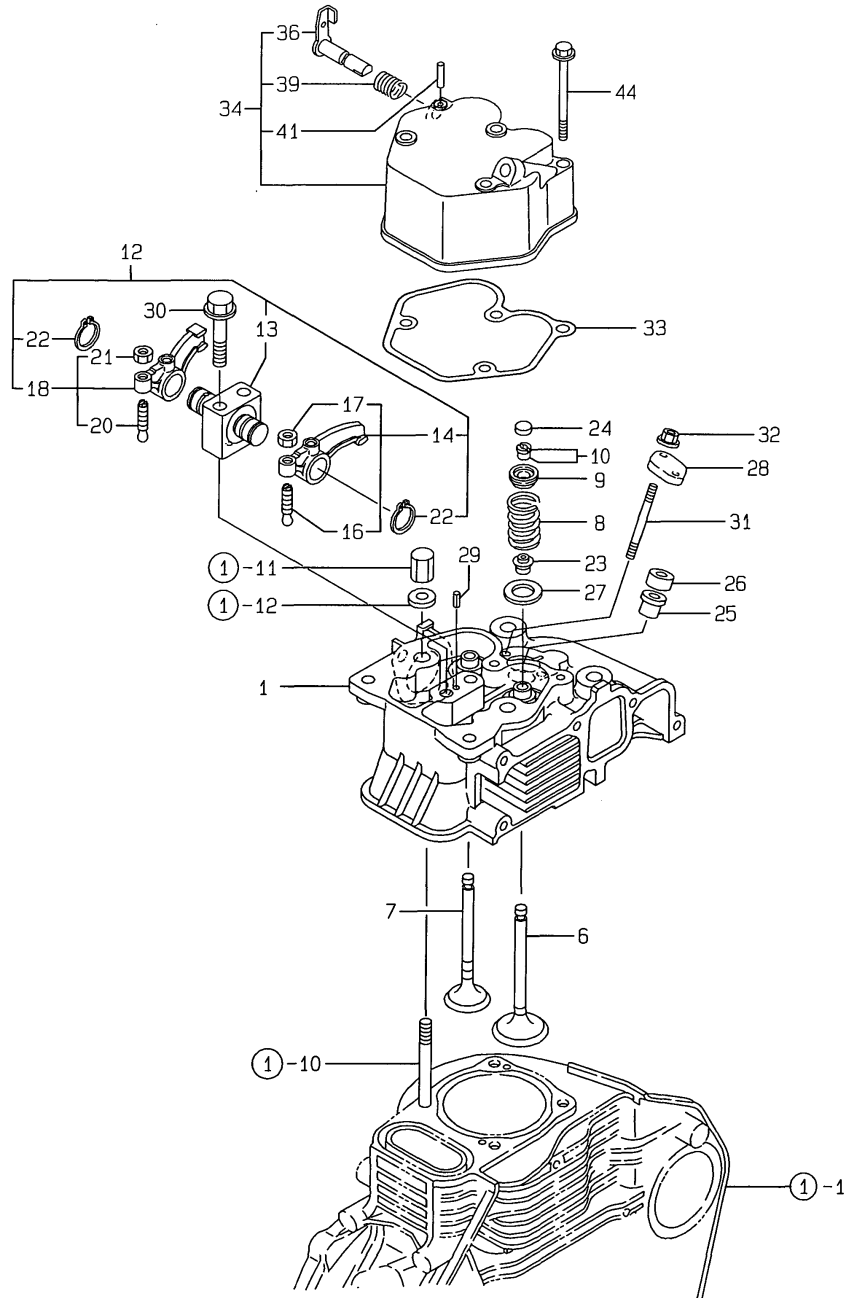
Fig.2. CYLINDER HEAD & BONNET

OCR10-G51600 2. CYLINDER HEAD & BONNET

(A)=L100EE-D
(B)=L100EE-DE
(C)=L100EE-DG

(D)=L100EE-DEG
(E)=L100EE-DP
(F)=L100EE-DEP

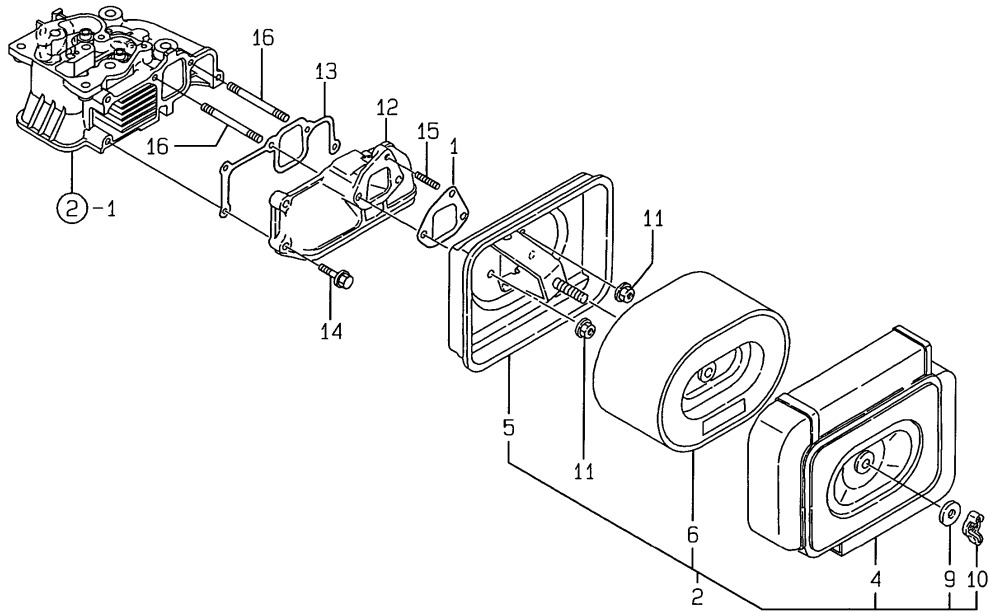
2. CYLINDER HEAD & BONNET



REF.	LEV.	PARTS NO.	DESCRIPTION	QTY						I	R
				(A)	(B)	(C)	(D)	(E)	(F)		
1	1	114651-11020	CYLINDER HEAD	1	1	1	1	1	1		
6	1	114651-11100	VALVE, SUCTION	1	1	1	1	1	1		
7	1	114651-11110	VALVE, EXHAUST	1	1	1	1	1	1		
8	1	114650-11121	SPRING, VALVE	2	2	2	2	2	2		
9	1	119620-11180	RETAINER, SPRING	2	2	2	2	2	2		
10	1	27310-070001	COTTER ASSY	2	2	2	2	2	2		
12	1	114651-11250	SUPPORT CMP, ARM	1	1	1	1	1	1		
13	2	114651-11260	SUPPORT, ROCKER ARM	1	1	1	1	1	1		
14	2	114651-11650	ARM ASSY, INTAKE	1	1	1	1	1	1		
16	3	114250-11240	SCREW, VALVE ADJUST.	1	1	1	1	1	1		
17	3	26856-060002	LOCK NUT 6	1	1	1	1	1	1		
18	2	114651-11660	ARM ASSY, EXHAUST	1	1	1	1	1	1		
20	3	114250-11240	SCREW, VALVE ADJUST.	1	1	1	1	1	1		
21	3	26856-060002	LOCK NUT 6	1	1	1	1	1	1		
22	2	22242-000150	CIRCLIP 15	2	2	2	2	2	2		
23	1	114650-11340	SEAL, VALVE STEM	2	2	2	2	2	2		
24	1	104211-11370	CAP, VALVE	2	2	2	2	2	2		
25	1	114771-11461	GASKET, NOZZLE	1	1	1	1	1	1		
26	1	114771-11470	SPACER, NOZZLE	1	1	1	1	1	1		
27	1	114650-11600	WASHER	2	2	2	2	2	2		
28	1	114250-11901	RETAINER	1	1	1	1	1	1		
29	1	22351-040008	SPRING PIN 4X 8	1	1	1	1	1	1		
30	1	26106-080552	BOLT M 8X 55 PLATED	2	2	2	2	2	2		
31	1	26226-060502	STUD M 6X 50	2	2	2	2	2	2		
32	1	26366-060002	NUT M 6	2	2	2	2	2	2		
33	1	114651-11310	GASKET, BONNET	1	1	1	1	1	1		
34	1	114651-11950	BONNET ASSY, HEAD	1	1	1	1	1	1		
36	2	114250-03591	SHAFT ASSY, DECOMP.	1	1	1	1	1	1		
39	2	114250-03640	SPRING	1	1	1	1	1	1		
41	2	22312-030160	PARALLEL PIN 3X16	1	1	1	1	1	1		
44	1	26106-060702	BOLT M 6X 70 PLATED	3	3	3	3	3	3		

Fig.3. AIR CLEANER

3. AIR CLEANER



OCR10-G51600 3. AIR CLEANER

(A)=L100EE-D
(B)=L100EE-DE
(C)=L100EE-DG

(D)=L100EE-DEG
(E)=L100EE-DP
(F)=L100EE-DEP

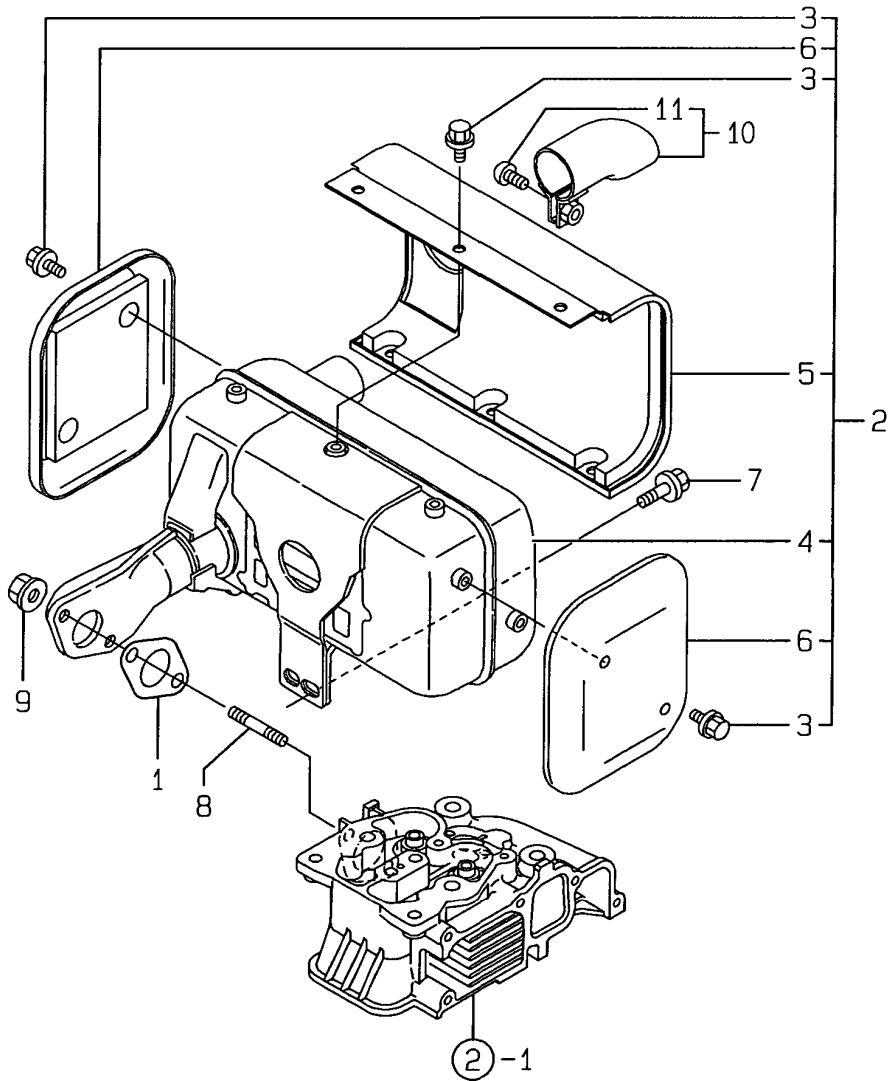
REF.	LEV.	PARTS NO.	DESCRIPTION	Q'TY						I	R
				(A)	(B)	(C)	(D)	(E)	(F)		
1	1	114650-12211	GASKET, AIR CLEANER	1	1	1	1	1	1		
2	1	714650-12560	CLEANER ASSY, AIR	1	1	1	1	1	1		
4	2	114650-12520	COVER, AIR CLEANER	1	1	1	1	1	1		
5	2	114650-12530	CASE, AIR CLEANER	1	1	1	1	1	1		
6	2	114650-12590	ELEMENT W/PRE-FILTER	1	1	1	1	1	1		
9	2	114252-12560	WASHER M 8, SEAL	1	1	1	1	1	1		
10	2	114252-12550	WING-NUT, M 8	1	1	1	1	1	1		
11	1	114250-12300	U-NUT	3	3	3	3	3	3		
12	1	114699-12020	PIPE, AIR INTAKE	1	1	1	1	1	1		
13	1	114650-12301	GASKET, AIR INTAKE	1	1	1	1	1	1		
14	1	26106-060252	BOLT M 6X 25 PLATED	3	3	3	3	3	3		
15	1	26226-060142	STUD M 6X 14 PLATED	1	1	1	1	1	1		
16	1	26226-060752	STUD M 6X 75	2	2	2	2	2	2		

Fig.4. MUFFLER

(A)=L100EE-D
(B)=L100EE-DE
(C)=L100EE-DG

(D)=L100EE-DEG
(E)=L100EE-DP
(F)=L100EE-DEP

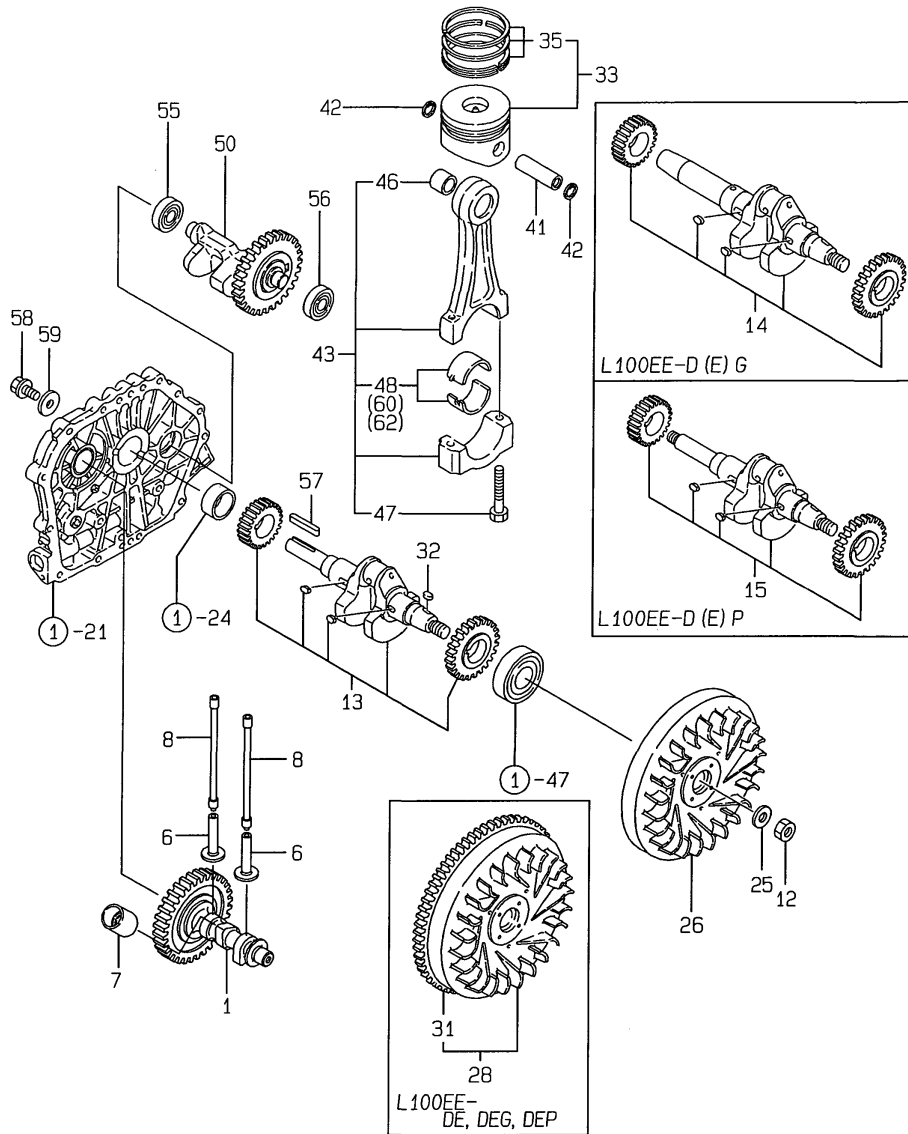
4. MUFFLER



REF.	LEV.	PARTS NO.	DESCRIPTION	QTY						I	R
				(A)	(B)	(C)	(D)	(E)	(F)		
1	1	114650-13201	GASKET, MUFFLER	1	1	1	1	1	1		
2	1	114970-13550	MUFFLER ASSY	1	1	1	1	1	1		
3	2	160260-01580	BOLT M 6X 6	10	10	10	10	10	10		
4	2	114970-13560	MUFFLER	1	1	1	1	1	1		
5	2	114970-13700	COVER(A), MUFFLER	1	1	1	1	1	1		
6	2	114970-13710	COVER, MUFFLER	2	2	2	2	2	2		
7	1	26106-080182	BOLT M 8X 18 PLATED	2	2	2	2	2	2		
8	1	26216-080182	STUD M 8X 18 PLATED	2	2	2	2	2	2		
9	1	26366-080002	NUT M 8	2	2	2	2	2	2		
10	1	114658-13800	EXTENSION, EXH.	1	1	1	1	1	1		
11	2	26554-060182	SCREW M 6X 18	1	1	1	1	1	1		

Fig.5. CRANKSHAFT,PISTON & CAMSHAFT

5. CRANKSHAFT, PISTON & CAMSHAFT



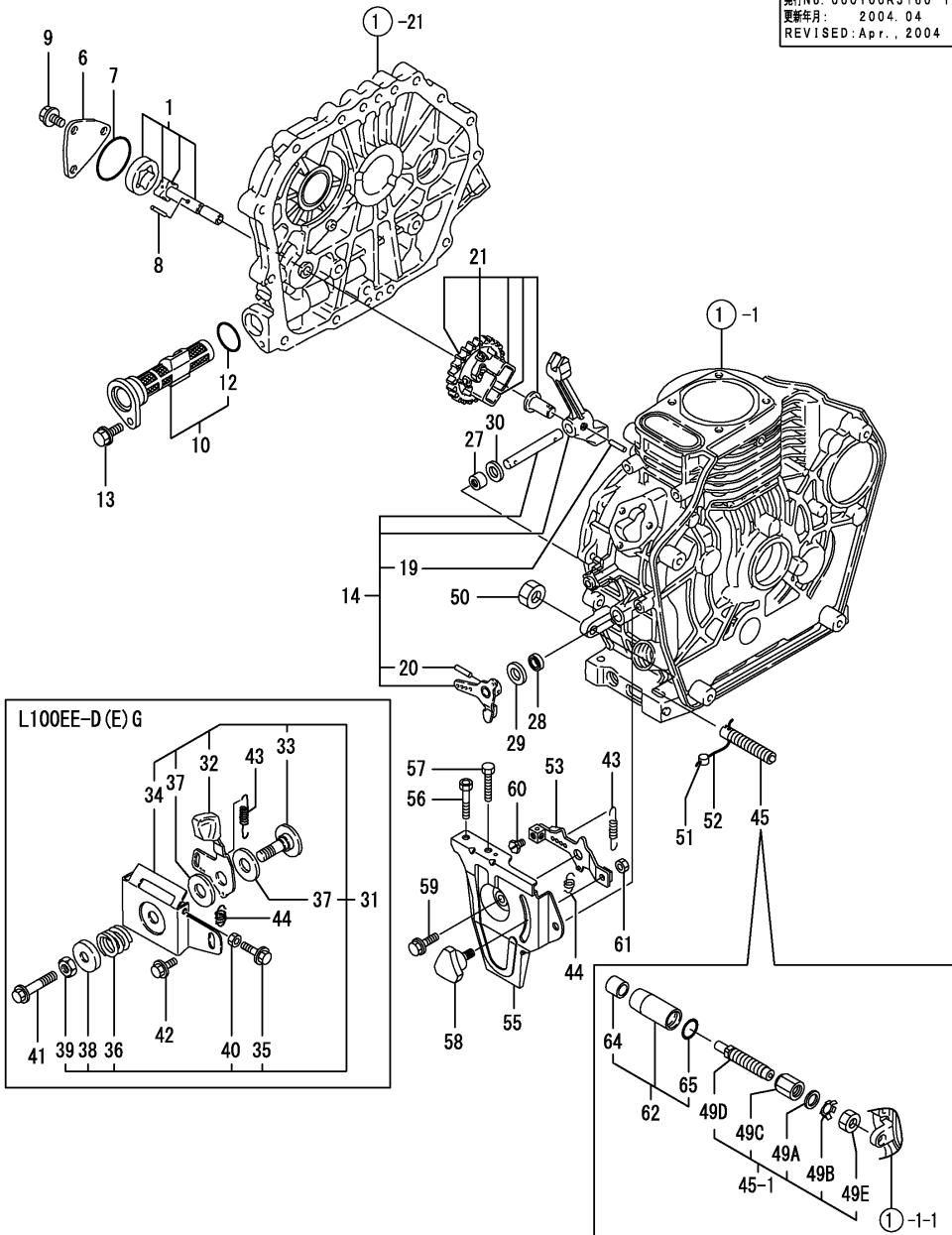
(A)=L100EE-D
(B)=L100EE-DE
(C)=L100EE-DG

(D)=L100EE-DEG
(E)=L100EE-DP
(F)=L100EE-DEP

REF.	LEV.	PARTS NO.	DESCRIPTION	Q'TY						I	R
				(A)	(B)	(C)	(D)	(E)	(F)		
1	1	714689-14580	CAMSHAFT (D) ASSY	1	1	1	1	1	1		
6	1	114650-14200	TAPPET	2	2	2	2	2	2		
7	1	114771-14260	TAPPET,F.O.	1	1	1	1	1	1		
8	1	114650-14401	ROD, PUSH	2	2	2	2	2	2		
12	1	122710-01220	NUT M18	1	1	1	1	1	1		
13	1	714657-21700	CRANKSHAFT ASY.(DGMO	1	1						
14	1	714658-21700	CRANKSHAFT ASY.(DGMO			1	1				
15	1	714659-21700	CRANKSHAFT ASY.(DGMO					1	1		
25	1	114650-21551	WASHER, FLYWHEEL	1	1	1	1	1	1		
26	1	114660-21402	FLYWHEEL (D)	1		1		1			
28	1	114662-21593	FLYWHEEL(DEJ) W/GEAR		1		1		1		
31	2	114662-21601	GEAR, RING		1		1		1		
32	1	22512-050140	KEY 5X 14	1	1	1	1	1	1		
33	1	714652-22720	PISTON W/RINGS	1	1	1	1	1	1		
35	2	714970-22500	RING SET, PISTON	1	1	1	1	1	1		
41	1	114699-22300	PIN, PISTON D=23	1	1	1	1	1	1		
42	1	129792-22400	CIRCLIP 23	2	2	2	2	2	2		
43	1	714650-23700	ROD ASSY, CONNECTING	1	1	1	1	1	1		
46	2	124060-23100	BUSH, PISTON PIN	1	1	1	1	1	1		
47	1	105300-23200	BOLT, ROD	2	2	2	2	2	2		
48	2	714650-23600	BEARING, CRANKPIN	1	1	1	1	1	1		
50	1	714970-28511	SHAFT ASSY, BALANCER	1	1	1	1	1	1		
55	1	24101-062034	BALL BEARING	1	1	1	1	1	1		
56	1	24101-063034	BALL BEARING	1	1	1	1	1	1		
57	1	160842-21150	KEY 6.3X50	1	1						
58	1	160842-21250	BOLT 7/16-20UNF	1	1						
59	1	160842-21260	WASHER	1	1						
60	1	714650-23610	BEARING,PIN(U.S=0.25	1	1	1	1	1	1		1
62	1	714650-23620	BEARING,PIN(U.S=0.50	1	1	1	1	1	1		1

Remarks
(1) UNDER-SIZED PART.

Fig.6. LUB.OIL PUMP & GOVERNOR

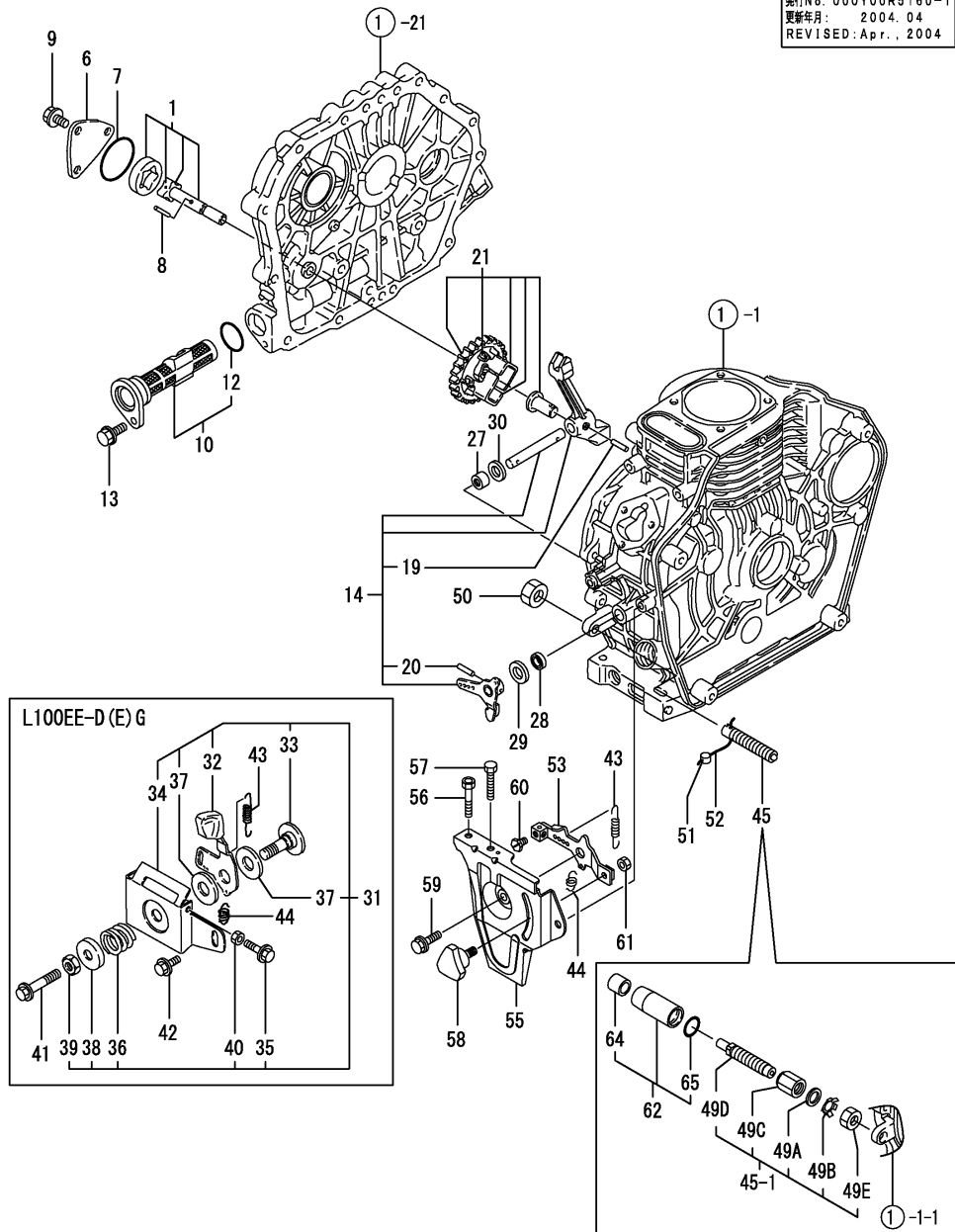


(A)=L100EE-D
(B)=L100EE-DE
(C)=L100EE-DG

(D)=L100EE-DEG
(E)=L100EE-DP
(F)=L100EE-DEP

REF.	LEV.	PARTS NO.	DESCRIPTION	QTY						I	R
				(A)	(B)	(C)	(D)	(E)	(F)		
1	1	114650-32010	PUMP ASSY, LUB.OIL	1	1	1	1	1	1		
6	1	114250-32070	COVER, LUB. OIL PUMP	1	1	1	1	1	1		
7	1	103338-32570	O-RING	1	1	1	1	1	1		
8	1	22312-030160	PARALLEL PIN 3X16	1	1	1	1	1	1		
9	1	26476-060142	BOLT M 6X 14,TAPPING	3	3	3	3	3	3		
10	1	114250-35110	STRAINER, LUB OIL	1	1	1	1	1	1		
12	2	24341-000224	O-RING 1A S-22.4	1	1	1	1	1	1		
13	1	26106-060162	BOLT M 6X 16 PLATED	1	1	1	1	1	1		
14	1	714650-61500	LEVER ASSY, GOVERNOR	1	1	1	1	1	1		
19	2	22322-030200	TAPER PIN 3X20	1	1	1	1	1	1		
20	2	22322-030200	TAPER PIN 3X20	1	1	1	1	1	1		
21	1	714685-61700	GOVERNOR ASSY	1	1	1	1	1	1		
27	1	114270-61520	NEEDLE BEARING FJ810	2	2	2	2	2	2		
28	1	114770-61600	SEAL, OIL	1	1	1	1	1	1		
29	1	114770-61610	WASHER, THRUST	1	1	1	1	1	1		
30	1	114770-61190	WASHER	1	1	1	1	1	1		
31	1	183250-66500	BRACKET ASSY,REGULAT			1	1				
32	2	183250-66050	HANDLE, REGULATOR			1	1				
33	2	183250-66070	SHAFT, HANDLE			1	1				
34	2	183250-66100	BRACKET, REGULATOR			1	1				
35	2	114250-66440	BOLT, ADJUSTING			1	1				
36	2	104200-66820	SPRING			1	1				
37	2	104200-66830	PLATE, FRICTION			2	2				
38	2	104200-66850	WASHER (B)			1	1				
39	2	26696-100002	LOCK NUT M10			1	1				
40	2	26757-060002	NUT M 6			1	1				
41	1	26106-060452	BOLT M 6X 45 PLATED			1	1				
42	1	26476-060142	BOLT M 6X 14,TAPPING			1	1				
43	1	114970-66010	SPRING, REGULATOR	1	1	1	1	1	1		
44	1	114250-66200	SPRING, RETURN	1	1	1	1	1	1		
45	1	114651-66550	TORQUE SPRING ASSY	1	1	1	1	1	1		
I 45-1	1	114771-61700	LIMITER ASSY, FUEL	1	1	1	1	1	1		S
		(A=E04349)	(B=E03013)	(C=E09240)	(D=E11856)	(E=E05394)	(F=E02179)				
I 49A	2	114771-61810	WASHER, PLAIN 14	1	1	1	1	1	1		W
		(A=E04349)	(B=E03013)	(C=E09240)	(D=E11856)	(E=E05394)	(F=E02179)				
I 49B	2	114771-61830	PLATE	1	1	1	1	1	1		W
		(A=E04349)	(B=E03013)	(C=E09240)	(D=E11856)	(E=E05394)	(F=E02179)				
I 49C	2	114771-61940	NUT	1	1	1	1	1	1		W
		(A=E04349)	(B=E03013)	(C=E09240)	(D=E11856)	(E=E05394)	(F=E02179)				
I 49D	2	114771-66600	LIMITER ASSY, FUEL	1	1	1	1	1	1		W
		(A=E04349)	(B=E03013)	(C=E09240)	(D=E11856)	(E=E05394)	(F=E02179)				
I 49E	2	114771-66690	NUT M14	1	1	1	1	1	1		W
		(A=E04349)	(B=E03013)	(C=E09240)	(D=E11856)	(E=E05394)	(F=E02179)				
I 50	1	26696-100002	LOCK NUT M10	1	1	1	1	1	1		Z
		(A=E04349)	(B=E03013)	(C=E09240)	(D=E11856)	(E=E05394)	(F=E02179)				
51	1	135210-61090	LEAD	2	2	2	2	2	2		
52	1	22451-060000	WIRE 0.6	2	2	2	2	2	2		
53	1	114250-66050	HANDLE, REGULATOR	1	1			1	1		
55	1	114299-66100	STAY, HANDLE	1	1			1	1		
56	1	114250-66440	BOLT, ADJUSTING	1	1			1	1		
57	1	102100-67080	BOLT, ADJUSTING	1	1			1	1		

Fig.6. LUB.OIL PUMP & GOVERNOR



OCR10-G51600 6. LUB.OIL PUMP & GOVERNOR

(A)=L100EE-D (D)=L100EE-DEG
 (B)=L100EE-DE (E)=L100EE-DP
 (C)=L100EE-DG (F)=L100EE-DEP

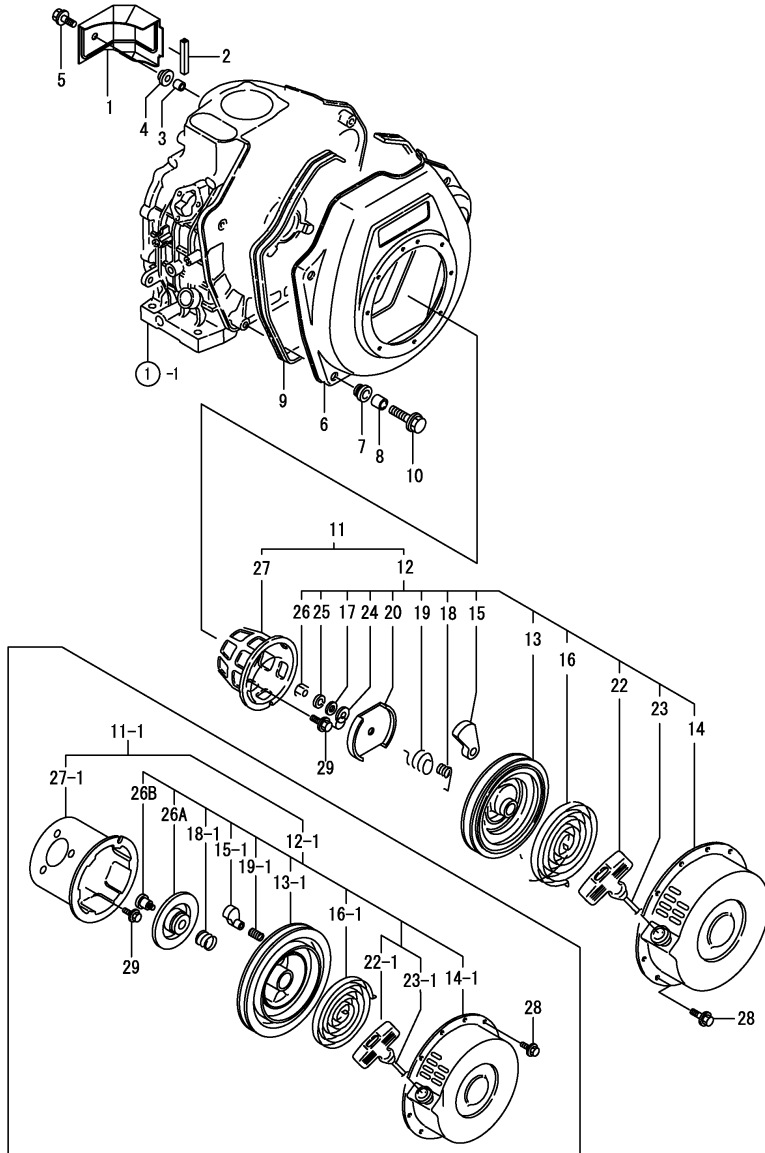
REF.	LEV.	PARTS NO.	DESCRIPTION	Q'TY						I	R
				(A)	(B)	(C)	(D)	(E)	(F)		
58	1	160725-78350	KNOB (W/M6X15)	1	1			1	1		
59	1	26106-060142	BOLT M 6X 14 PLATED	1	1			1	1		
60	1	26117-040088	BOLT M 4X 8 PLATED	1	1			1	1		
61	1	26347-060002	U-NUT M 6	1	1			1	1		
I 62	1	114771-61890	PROTECTOR CMP	1	1	1	1	1	1	1	W
		(A=E04349) (B=E03013) (C=E09240) (D=E11856)		(E=E05394)				(F=E02179)			
I 64	2	114771-61960	SPACER	1	1	1	1	1	1	1	W
		(A=E04349) (B=E03013) (C=E09240) (D=E11856)		(E=E05394)				(F=E02179)			
I 65	2	24311-000180	O-RING 1A P-18.0	1	1	1	1	1	1	1	W
		(A=E04349) (B=E03013) (C=E09240) (D=E11856)		(E=E05394)				(F=E02179)			

Fig.7. COOLING & STARTING DEVICE

(A)=L100EE-D
(B)=L100EE-DE
(C)=L100EE-DG

(D)=L100EE-DEG
(E)=L100EE-DP
(F)=L100EE-DEP

7. COOLING & STARTING DEVICE

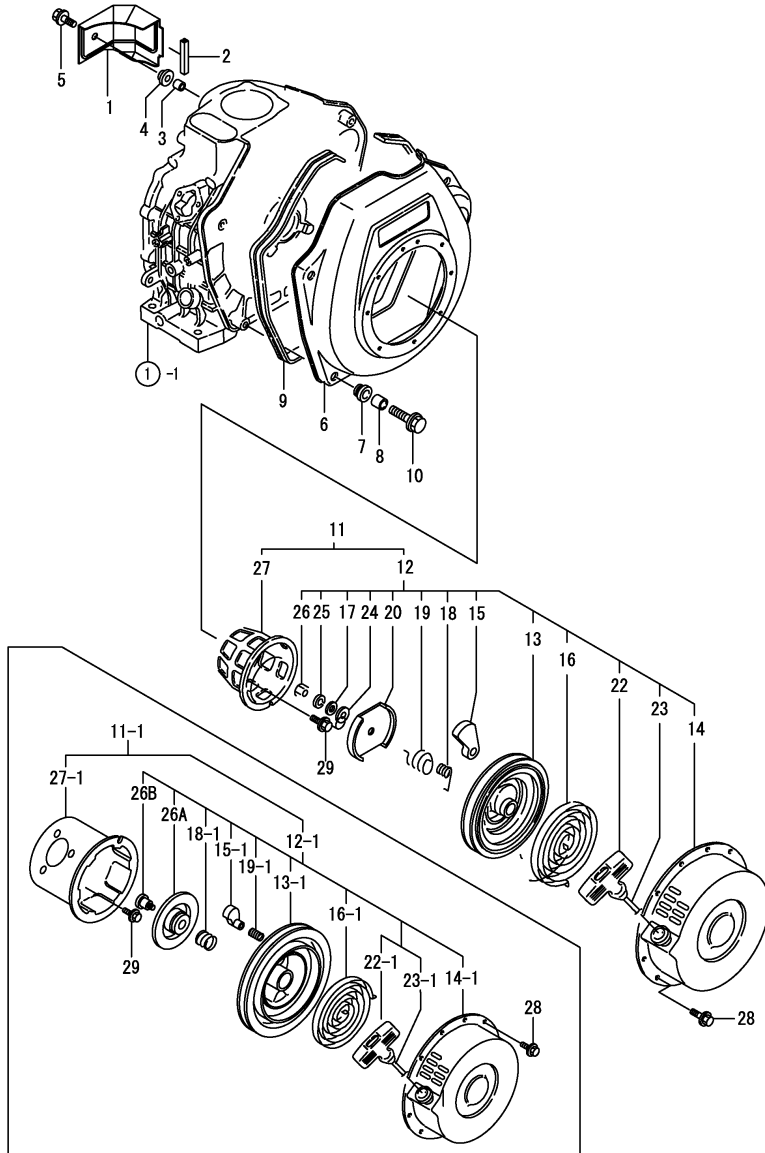


Remarks
(1) Interchangeable by simultaneous replacement with Ref.12-1 and Ref.27-1

REF.	LEV.	PARTS NO.	DESCRIPTION	QTY						I	R
				(A)	(B)	(C)	(D)	(E)	(F)		
1	1	114650-45201	COVER	1	1	1	1	1	1		
2	1	114350-45320	RUBBER, SEAL	1	1	1	1	1	1		
3	1	114350-45340	COLLAR	1	1	1	1	1	1		
4	1	183720-55210	GROMMET	1	1	1	1	1	1		
5	1	26106-060202	BOLT M 6X 20 PLATED	1	1	1	1	1	1		
6	1	114668-45102	CASE,FAN(SILVER)(17)	1	1	1	1	1	1		
7	1	114250-45301	RUBBER, CUSHION	4	4	4	4	4	4		
8	1	114250-45310	COLLAR	4	4	4	4	4	4		
9	1	114650-45330	SEAL, FAN CASE	1	1	1	1	1	1		
10	1	114370-45351	BOLT, FAN CASE	4	4	4	4	4	4		
11	1	114660-76051	STATER ASSY, RECOIL	1	1	1	1	1	1		
11-1	1	114660-76052	RECOIL STARTER CMP	1	1	1	1	1	1		R 1
		(A=EZZZZZ) (B=EZZZZZ) (C=EZZZZZ) (D=EZZZZZ) (E=EZZZZZ) (F=EZZZZZ)									
12	2	114660-76250	RECOIL ASSY	1	1	1	1	1	1		
12-1	2	114660-76251	STARTER ASSY, RECOIL	1	1	1	1	1	1		S
		(A=EZZZZZ) (B=EZZZZZ) (C=EZZZZZ) (D=EZZZZZ) (E=EZZZZZ) (F=EZZZZZ)									
13	3	114650-76520	REEL, RECOIL	1	1	1	1	1	1		
13-1	3	114880-76520	REEL	1	1	1	1	1	1		S
		(A=EZZZZZ) (B=EZZZZZ) (C=EZZZZZ) (D=EZZZZZ) (E=EZZZZZ) (F=EZZZZZ)									
14	3	114660-76530	CASE (D) W/NO LABEL	1	1	1	1	1	1		
14-1	3	114660-76531	CASE, STARTER	1	1	1	1	1	1		S
		(A=EZZZZZ) (B=EZZZZZ) (C=EZZZZZ) (D=EZZZZZ) (E=EZZZZZ) (F=EZZZZZ)									
15	3	160910-76530	RATCHET	1	1	1	1	1	1		
15-1	3	114870-76530	RATCHET	2	2	2	2	2	2		S
		(A=EZZZZZ) (B=EZZZZZ) (C=EZZZZZ) (D=EZZZZZ) (E=EZZZZZ) (F=EZZZZZ)									
16	3	114650-76540	SPRING, SPIRAL	1	1	1	1	1	1		
16-1	3	114870-76540	SPRING, SPIRAL	1	1	1	1	1	1		S
		(A=EZZZZZ) (B=EZZZZZ) (C=EZZZZZ) (D=EZZZZZ) (E=EZZZZZ) (F=EZZZZZ)									
17	3	160910-76550	WASHER, THRUST	1	1	1	1	1	1		Z
18	3	160910-76560	SPRING, FRICTION	1	1	1	1	1	1		
18-1	3	114870-76560	SPRING, FRICTION	1	1	1	1	1	1		S
		(A=EZZZZZ) (B=EZZZZZ) (C=EZZZZZ) (D=EZZZZZ) (E=EZZZZZ) (F=EZZZZZ)									
19	3	160910-76570	SPRING, RETURN	1	1	1	1	1	1		
19-1	3	114870-76570	SPRING, RETURN	2	2	2	2	2	2		
		(A=EZZZZZ) (B=EZZZZZ) (C=EZZZZZ) (D=EZZZZZ) (E=EZZZZZ) (F=EZZZZZ)									
20	3	160910-76580	PLATE, FRICTION	1	1	1	1	1	1		Z
		(A=EZZZZZ) (B=EZZZZZ) (C=EZZZZZ) (D=EZZZZZ) (E=EZZZZZ) (F=EZZZZZ)									
22	3	160910-76620	KNOB, STARTER	1	1	1	1	1	1		
22-1	3	114870-76620	KNOB, STARTER	1	1	1	1	1	1		S
		(A=EZZZZZ) (B=EZZZZZ) (C=EZZZZZ) (D=EZZZZZ) (E=EZZZZZ) (F=EZZZZZ)									
23	3	160910-76630	ROPE, STARTER	1	1	1	1	1	1		
23-1	3	114650-76631	ROPE, STARTER	1	1	1	1	1	1		S
		(A=EZZZZZ) (B=EZZZZZ) (C=EZZZZZ) (D=EZZZZZ) (E=EZZZZZ) (F=EZZZZZ)									
24	3	160910-76650	WASHER (B)	1	1	1	1	1	1		Z
		(A=EZZZZZ) (B=EZZZZZ) (C=EZZZZZ) (D=EZZZZZ) (E=EZZZZZ) (F=EZZZZZ)									
25	3	22217-060000	SPRING WASHER 6	1	1	1	1	1	1		Z
		(A=EZZZZZ) (B=EZZZZZ) (C=EZZZZZ) (D=EZZZZZ) (E=EZZZZZ) (F=EZZZZZ)									
26	3	26717-060002	NUT M 6	1	1	1	1	1	1		Z
		(A=EZZZZZ) (B=EZZZZZ) (C=EZZZZZ) (D=EZZZZZ) (E=EZZZZZ) (F=EZZZZZ)									
26A	3	114880-76550	GUIDE, RATCHET	1	1	1	1	1	1		W
		(A=EZZZZZ) (B=EZZZZZ) (C=EZZZZZ) (D=EZZZZZ) (E=EZZZZZ) (F=EZZZZZ)									

Fig.7. COOLING & STARTING DEVICE

7. COOLING & STARTING DEVICE



Remarks
 (1) Interchangeable by simultaneous replacement with Ref.12-1 and Ref.27-1

OCR10-G51600 7. COOLING & STARTING DEVICE

(A)=L100EE-D
 (B)=L100EE-DE
 (C)=L100EE-DG

(D)=L100EE-DEG
 (E)=L100EE-DP
 (F)=L100EE-DEP

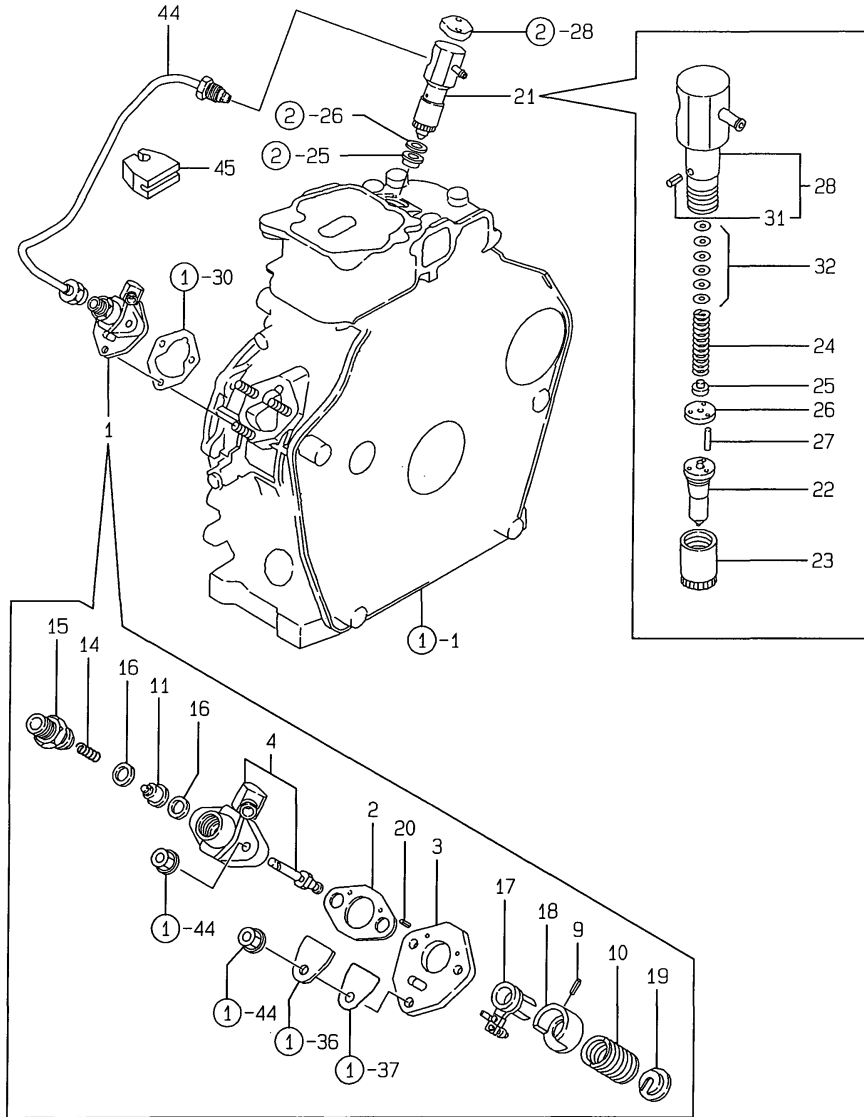
REF.	LEV.	PARTS NO.	DESCRIPTION	Q'TY						I	R
				(A)	(B)	(C)	(D)	(E)	(F)		
26B	3	114870-76580	SCREW, SETTING (A=EZZZZZ) (B=EZZZZZ) (C=EZZZZZ) (D=EZZZZZ)	1	1	1	1	1	1	1	W
27	2	114660-76591	PULLEY, STARTER (A=EZZZZZ) (B=EZZZZZ) (C=EZZZZZ) (D=EZZZZZ)	1	1	1	1	1	1	1	S
27-1	2	114660-76592	PULLEY, STARTER (A=EZZZZZ) (B=EZZZZZ) (C=EZZZZZ) (D=EZZZZZ)	1	1	1	1	1	1	1	S
28	1	26106-060082	BOLT M 6X 8 PLATED	4	4	4	4	4	4	4	
29	1	26106-060122	BOLT M 6X 12 PLATED	3	3	3	3	3	3	3	

Fig.8. FUEL INJECTION PUMP

(A)=L100EE-D
(B)=L100EE-DE
(C)=L100EE-DG

(D)=L100EE-DEG
(E)=L100EE-DP
(F)=L100EE-DEP

8.FUEL INJECTION PUMP



REF.	LEV.	PARTS NO.	DESCRIPTION	Q'TY						I	R	
				(A)	(B)	(C)	(D)	(E)	(F)			
I	1	1	714970-51700	PUMP ASSY, F.INJECT.	1	1	1	1	1	1		M
I	1-1	1	714656-51100	PUMP ASSY, F.INJECT.	1	1	1	1	1	1		
	2	2	105546-51020	GASKET	1	1	1	1	1	1		
	3	2	114250-51080	PLATE	1	1	1	1	1	1		
	4	2	114970-51100	BODY, F. I. PUMP	1	1	1	1	1	1		
	9	2	22351-030008	SPRING PIN 3X 8	1	1	1	1	1	1		
	10	2	114250-51160	SPRING	1	1	1	1	1	1		
	11	2	114650-51300	VALVE ASSY, DELIVERY	1	1	1	1	1	1		
	14	2	105546-51330	SPRING, DELIV. VALVE	1	1	1	1	1	1		
	15	2	114250-51340	HOLDER, F.I.P.DELIVE	1	1	1	1	1	1		
	16	2	124550-51350	GASKET, DELIVERY	2	2	2	2	2	2		
	17	2	114250-51600	LEVER ASSY, CONTROL	1	1	1	1	1	1		
	18	2	114250-51640	SEAT (A), SPRING	1	1	1	1	1	1		
	19	2	114250-51650	SEAT (B), SPRING	1	1	1	1	1	1		
	20	2	22351-020006	SPRING PIN 2X 6	2	2	2	2	2	2		
	21	1	714651-53100	VALVE ASSY, F.INJECT	1	1	1	1	1	1		
	22	2	114651-53000	NOZZLE ASSY	1	1	1	1	1	1		
	23	2	119593-53080	NUT,NOZZLE CASE	1	1	1	1	1	1		
	24	2	114250-53120	SPRING, NOZZLE	1	1	1	1	1	1		
	25	2	119593-53130	RETAINER,SPRING	1	1	1	1	1	1		
	26	2	114775-53140	SPACER,VALVE STOP	1	1	1	1	1	1		
	27	2	114775-53210	PIN	2	2	2	2	2	2		
	28	2	114775-53100	HOLDER ASSY	1	1	1	1	1	1		
	31	3	114775-53330	PIN	1	1	1	1	1	1		
	32	2	114250-53400	SHIM PACK	1	1	1	1	1	1		
	44	1	114651-59801	PIPE, FUEL INJECTION	1	1	1	1	1	1		
	45	1	114650-59850	BRACKET, PIPE	1	1	1	1	1	1		

Remarks
(M) MISPRINT.

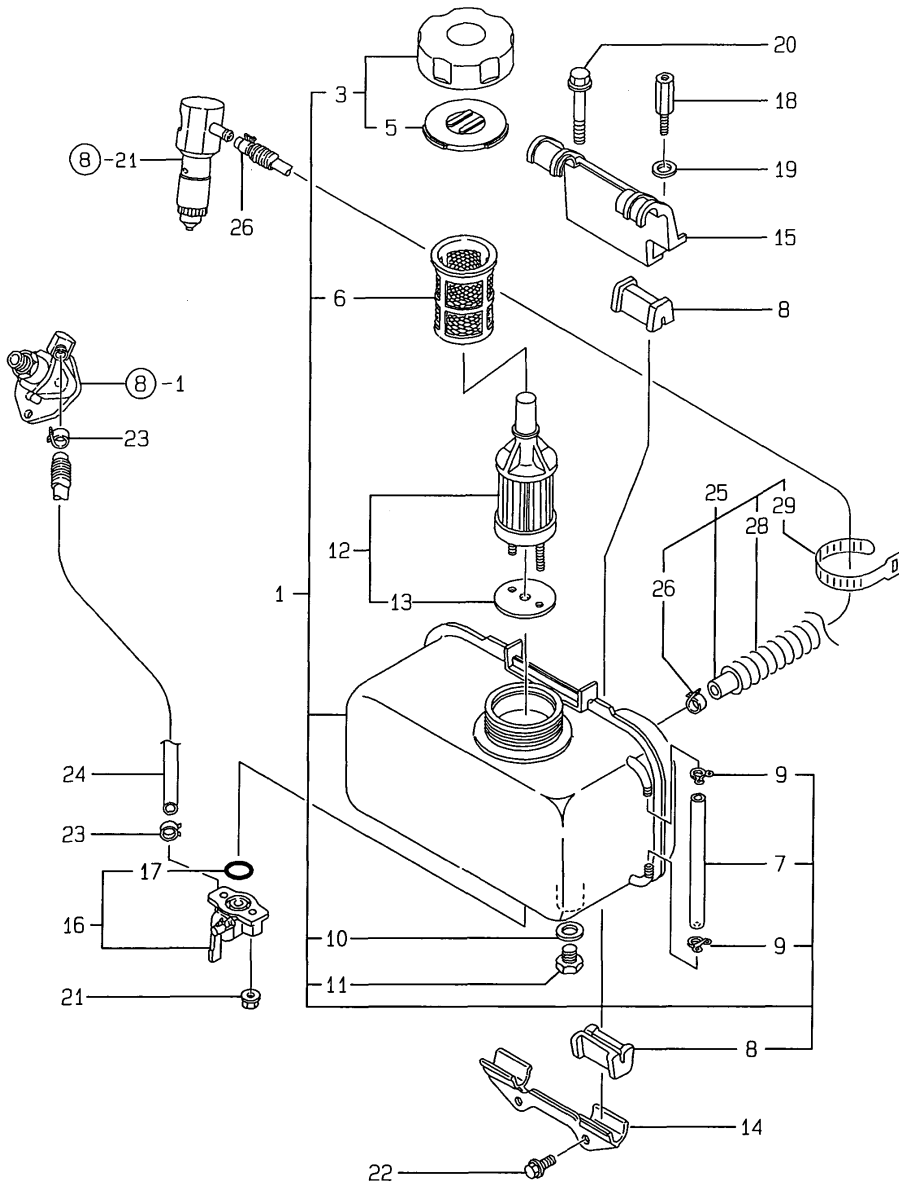
N:Old $\xrightarrow{\text{Yes}}$ New, Q:Old $\xrightarrow{\text{No}}$ New, R:Old $\xrightarrow{\text{Yes}}$ New, S:Old $\xrightarrow{\text{No}}$ New, W:Add, Z:Discontinued, F:Interchangeable by set, K:Q'ty Change

Fig.9. FUEL TANK & FUEL LINE

(A)=L100EE-D
(B)=L100EE-DE
(C)=L100EE-DG

(D)=L100EE-DEG
(E)=L100EE-DP
(F)=L100EE-DEP

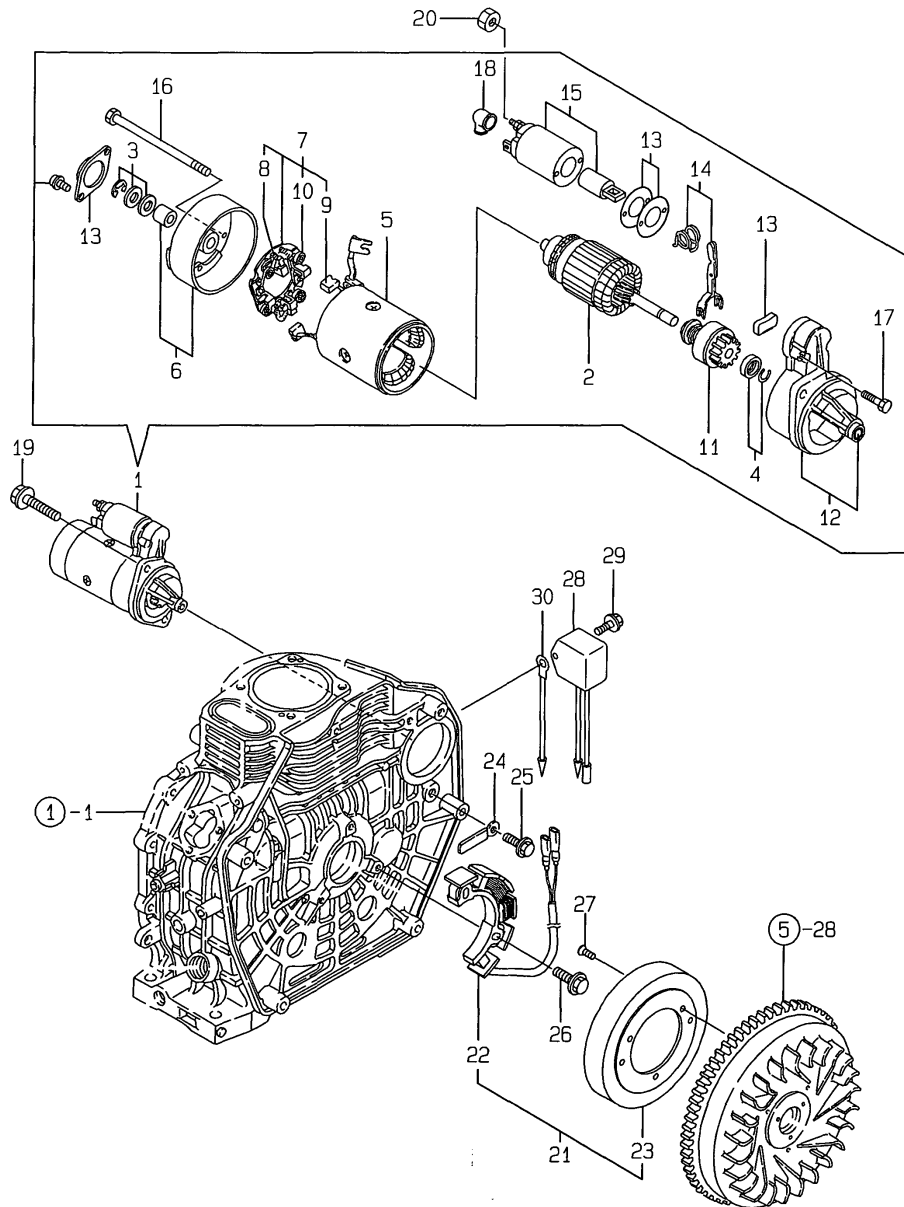
9.FUEL TANK & FUEL LINE



REF.	LEV.	PARTS NO.	DESCRIPTION	QTY						I	R
				(A)	(B)	(C)	(D)	(E)	(F)		
1	1	714650-55130	TANK ASSY, FUEL	1	1	1	1	1	1		
3	2	114288-55040	CAP ASSY, TANK	1	1	1	1	1	1		
5	3	114288-55080	VALVE	1	1	1	1	1	1		
6	2	114250-55100	FILTER, FUEL	1	1	1	1	1	1		
7	2	114650-55150	PIPE, GAUGE	1	1	1	1	1	1		
8	2	114250-55201	DAMPER, FUEL TANK	4	4	4	4	4	4		
9	2	103854-55220	CLAMP	2	2	2	2	2	2		
10	2	23414-080000	GASKET 8, ROUND	1	1	1	1	1	1		
11	2	105300-55080	PLUG, DRAIN	1	1	1	1	1	1		
12	1	114250-55121	FILTER, FUEL OIL	1	1	1	1	1	1		
13	2	114250-55130	GASKET	1	1	1	1	1	1		
14	1	114299-55210	STAY	1	1	1	1	1	1		
15	1	114699-55230	STAY(B), FUEL TANK	1	1	1	1	1	1		
16	1	114250-55300	COCK ASSY, FUEL	1	1	1	1	1	1		
17	2	24341-000150	O-RING 1A S-15.0	1	1	1	1	1	1		
18	1	114650-55810	BOLT, LIFTING	1	1	1	1	1	1		
19	1	22117-080000	WASHER 8	1	1	1	1	1	1		
20	1	26106-080452	BOLT M 8X 45 PLATED	1	1	1	1	1	1		
21	1	26366-060002	NUT M 6	2	2	2	2	2	2		
22	1	26476-060142	BOLT M 6X 14,TAPPING	2	2	2	2	2	2		
23	1	106990-44660	CLIP,HOSE	2	2	2	2	2	2		
24	1	114250-59051	PIPE, FUEL OIL	1	1	1	1	1	1		
25	1	114652-59300	PIPE, FUEL RETURN	1	1	1	1	1	1		
26	2	124722-59050	CLAMP 9	2	2	2	2	2	2		
28	2	114652-59310	TUBE, PROTECT	1	1	1	1	1	1		
29	2	121750-59890	CLAMP 140	1	1	1	1	1	1		

Fig.10. STARTING MOTOR & DYNAMO

10.STARTING MOTOR & DYNAMO



OCR10-G51600 10. STARTING MOTOR & DYNAMO

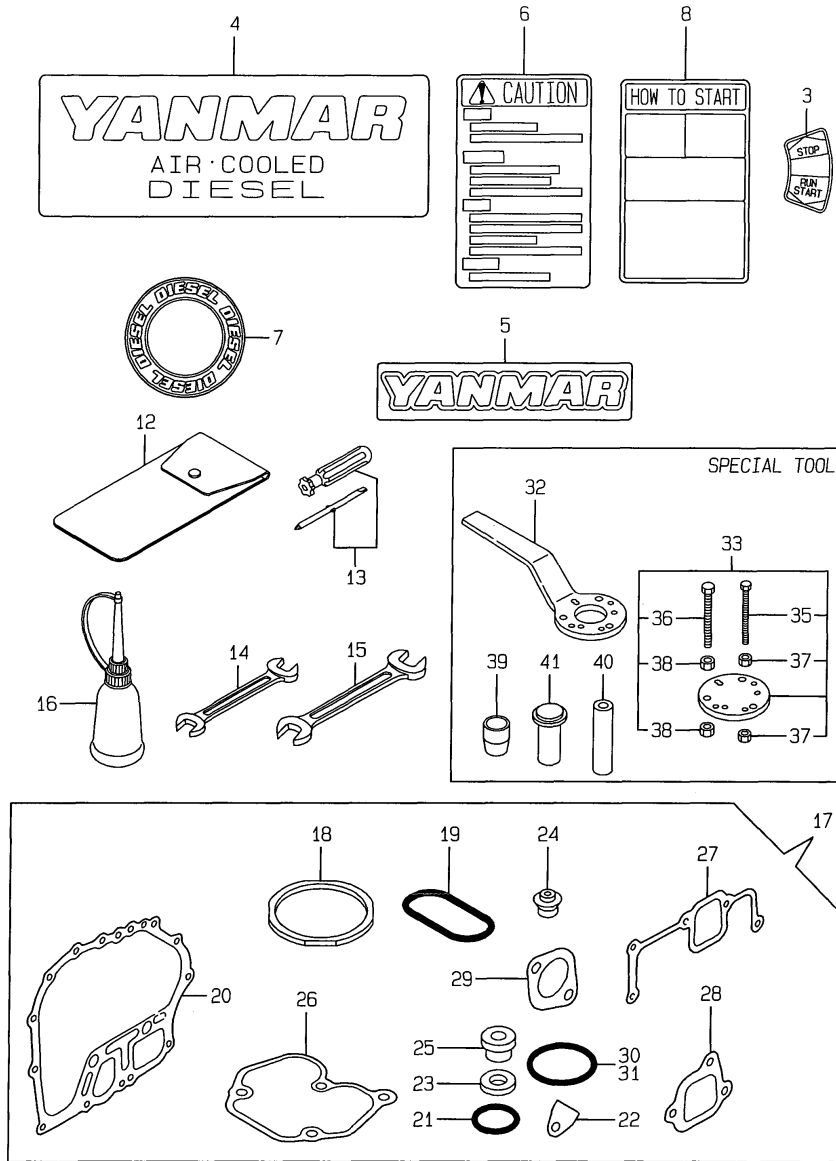
(A)=L100EE-D
(B)=L100EE-DE
(C)=L100EE-DG

(D)=L100EE-DEG
(E)=L100EE-DP
(F)=L100EE-DEP

REF.	LEV.	PARTS NO.	DESCRIPTION	Q'TY						I	R
				(A)	(B)	(C)	(D)	(E)	(F)		
1	1	114362-77011	STARTER(HITACHI 12V	1			1				
2	2	114381-77110	ARMATURE		1		1				
3	2	X2114811000	WASHER KIT, THRUST		1		1				
4	2	X2114715500	STOPPER SET, PINION		1		1				
5	2	114381-77130	COIL ASSY, FIELD		1		1				
6	2	114381-77140	COVER, REAR		1		1				
7	2	114371-77160	HOLDER ASSY, BRUSH		1		1				
8	3	114371-79040	BRUSH (-)		2		2				
9	3	114371-79050	BRUSH (+)		1		1				
10	3	114371-79060	SPRING, BRUSH		4		4				
11	2	X2114455080	PINION ASSY		1		1				
12	2	114381-77150	HOUSING ASSY, GEAR		1		1				
13	2	114371-77170	COVER KIT, DUST		1		1				
14	2	X2114560130	LEVER KIT, SHIFT		1		1				
15	2	X2114275010	SWITCH ASSY, MAGNET		1		1				
16	2	X2114680050	BOLT, THROUGH		2		2				
17	2	114371-79070	BOLT M 6X 37		2		2				
18	2	X2114274200	COVER, TERMINAL		1		1				
19	1	26106-100302	BOLT M10X 30 PLATED		2		2				
20	1	26716-080002	NUT M 8		1		1				
21	1	114351-78251	DYNAMO ASSY		1		1				
22	2	114351-78751	STATOR ASSY		1		1				
23	2	114351-78761	WHEEL, DYNAMO		1		1				
24	1	160710-78710	CLAMP, CORD		1		1				
25	1	26106-060122	BOLT M 6X 12 PLATED		1		1				
26	1	26476-060202	BOLT M 6X 20,TAPPING		3		3				
27	1	26577-060142	SCREW M 6X 14		3		3				
28	1	160970-77350	RECTIFIER		1		1				
29	1	26106-060122	BOLT M 6X 12 PLATED		1		1				
30	1	183350-77400	WIRE, LEAD		1		1				

Fig.11. TOOL,LABEL & GASKET SET

11.TOOL, LABEL & GASKET SET



OCR10-G51600 11. TOOL,LABEL & GASKET SET

(A)=L100EE-D
(B)=L100EE-DE
(C)=L100EE-DG

(D)=L100EE-DEG
(E)=L100EE-DP
(F)=L100EE-DEP

REF.	LEV.	PARTS NO.	DESCRIPTION	QTY						I	R
				(A)	(B)	(C)	(D)	(E)	(F)		
3	1	183250-07230	LABEL, OPERATION	1	1	1	1	1	1		
4	1	114250-07090	LABEL, AIR COOLED	1	1	1	1	1	1		
5	1	114250-07111	LABEL, YANMAR	1	1	1	1	1	1		
6	1	114268-07240	LABEL, CAUTION	1	1	1	1	1	1		
7	1	114261-07350	LABEL	1	1	1	1	1	1		
8	1	114268-07350	LABEL, HOW TO START	1	1	1	1	1	1		
12	1	114250-92600	BAG, TOOL	1	1	1	1	1	1		
13	1	160330-92730	SCREWDRIVER (+)	1	1	1	1	1	1		
14	1	28110-100120	WRENCH 10X12	1	1	1	1	1	1		
15	1	28110-140170	WRENCH 14X17	1	1	1	1	1	1		
16	1	28210-000150	FEEDER, OIL	1	1	1	1	1	1		
17	1	714651-92600	GASKET SET	1	1	1	1	1	1		1
18	2	114651-01330	GASKET,CYL. HEAD CMP	1	1	1	1	1	1		
19	2	114650-01380	O-RING	1	1	1	1	1	1		
20	2	114650-01412	GASKET, CRANK CASE	1	1	1	1	1	1		
21	2	114299-01950	O-RING	2	2	2	2	2	2		
22	2	114250-01841	GASKET, COVER	1	1	1	1	1	1		
23	2	22190-160002	SEAL WASHER 16S	2	2	2	2	2	2		
24	2	114650-11340	SEAL, VALVE STEM	2	2	2	2	2	2		
25	2	114771-11461	GASKET, NOZZLE	1	1	1	1	1	1		
26	2	114651-11310	GASKET, BONNET	1	1	1	1	1	1		
27	2	114650-12301	GASKET, AIR INTAKE	1	1	1	1	1	1		
28	2	114650-12211	GASKET, AIR CLEANER	1	1	1	1	1	1		
29	2	114650-13201	GASKET, MUFFLER	1	1	1	1	1	1		
30	2	103338-32570	O-RING	1	1	1	1	1	1		
31	2	24341-000224	O-RING 1A S-22.4	1	1	1	1	1	1		
32	1	114250-92101	F.W. LOCKING HANDLE	1	1	1	1	1	1		1
33	1	114250-92130	REMOVER, FLYWHEEL	1	1	1	1	1	1		1
35	2	26116-060454	BOLT M 6X 45 PLATED	4	4	4	4	4	4		1
36	2	26116-080454	BOLT M 8X 45 PLATED	3	3	3	3	3	3		1
37	2	26716-060002	NUT 6	8	8	8	8	8	8		1
38	2	26716-080002	NUT M 8	6	6	6	6	6	6		1
39	1	114668-92300	GUIDE, OIL SEAL	1	1	1	1	1	1		1
40	1	114650-92310	INSTALLING TOOL	1	1	1	1	1	1		1
41	1	114650-92350	INSTALLING TOOL	1	1	1	1	1	1		1

Remarks
(1) OPTIONAL PARTS.

N:Old $\begin{matrix} \leftarrow \text{Yes} \\ \text{No} \end{matrix}$ New, Q:Old $\begin{matrix} \leftarrow \text{No} \\ \text{Yes} \end{matrix}$ New, R:Old $\begin{matrix} \leftarrow \text{Yes} \\ \text{Yes} \end{matrix}$ New, S:Old $\begin{matrix} \leftarrow \text{No} \\ \text{No} \end{matrix}$ New, W:Add, Z:Discontinued, F:Interchangeable by set, K:Q'ty Change

Part Number Index

All parts are stipulated in the order of part numbers.

(Depending on the area in which the part is used.)

This index will display the location of the part according to each part number.

PARTS No. INDEX

PARTS No.	Fig.	Ref.No.
102100-67080	6	57
103338-32570	6	7
	11	30
103854-55220	9	9
104200-66820	6	36
104200-66830	6	37
104200-66850	6	38
104211-11370	2	24
105025-01220	1	8
105300-23200	5	47
105300-55080	9	11
105425-01690	1	26
105546-51020	8	2
105546-51330	8	14
106990-44660	9	23
114250-01800	1	30
114250-01830	1	36
114250-01841	1	37
	11	22
114250-03591	2	36
114250-03640	2	39
114250-07090	11	4
114250-07111	11	5
114250-11240	2	16
		20
114250-11901	2	28
114250-12300	3	11
114250-32070	6	6
114250-35110	6	10
114250-35150	1	38
114250-45301	7	7
114250-45310	7	8
114250-51080	8	3
114250-51160	8	10
114250-51340	8	15
114250-51600	8	17
114250-51640	8	18
114250-51650	8	19
114250-53120	8	24
114250-53400	8	32
114250-55100	9	6
114250-55121	9	12
114250-55130	9	13
114250-55201	9	8
114250-55300	9	16
114250-59051	9	24
114250-66050	6	53
114250-66200	6	44
114250-66440	6	35
		56

PARTS No.	Fig.	Ref.No.
114250-92101	11	32
114250-92130	11	33
114250-92600	11	12
114252-12550	3	10
114252-12560	3	9
114261-07350	11	7
114268-07240	11	6
114268-07350	11	8
114270-01600	1	40
114270-61520	6	27
114288-55040	9	3
114288-55080	9	5
114299-01950	1	29
	11	21
114299-02030	1	46
114299-55210	9	14
114299-66100	6	55
114350-01700	1	6
114350-45320	7	2
114350-45340	7	3
114351-78251	10	21
114351-78751	10	22
114351-78761	10	23
114362-77011	10	1
114370-45351	7	10
114371-77160	10	7
114371-77170	10	13
114371-79040	10	8
114371-79050	10	9
114371-79060	10	10
114371-79070	10	17
114381-77110	10	2
114381-77130	10	5
114381-77140	10	6
114381-77150	10	12
114650-01230	1	9
114650-01240	1	10
114650-01250	1	11
114650-01260	1	12
114650-01380	1	19
	11	19
114650-01412	1	20
	11	20
114650-02100	1	24
114650-02150	1	47
114650-02200	1	53
114650-02210	1	54
114650-11121	2	8
114650-11340	2	23
	11	24

PARTS No.	Fig.	Ref.No.
114650-11600	2	27
114650-12211	3	1
	11	28
114650-12301	3	13
	11	27
114650-12520	3	4
114650-12530	3	5
114650-12590	3	6
114650-13201	4	1
	11	29
114650-14200	5	6
114650-14401	5	8
114650-21551	5	25
114650-32010	6	1
114650-45201	7	1
114650-45330	7	9
114650-51300	8	11
114650-55150	9	7
114650-55810	9	18
114650-59850	8	45
114650-76520	7	13
114650-76540	7	16
114650-76631	7	23 -1
114650-92310	11	40
114650-92350	11	41
114651-01330	1	13
	11	18
114651-11020	2	1
114651-11100	2	6
114651-11110	2	7
114651-11250	2	12
114651-11260	2	13
114651-11310	2	33
	11	26
114651-11650	2	14
114651-11660	2	18
114651-11950	2	34
114651-53000	8	22
114651-59801	8	44
114651-66550	6	45
114652-59300	9	25
114652-59310	9	28
114658-13800	4	10
114660-01471	1	21
114660-21402	5	26
114660-76051	7	11
114660-76052	7	11 -1
114660-76250	7	12
114660-76251	7	12 -1
114660-76530	7	14

PARTS No.	Fig.	Ref.No.
114660-76531	7	14 -1
114660-76591	7	27
114660-76592	7	27 -1
114662-21593	5	28
114662-21601	5	31
114668-45102	7	6
114668-92300	11	39
114699-01760	1	27
114699-12020	3	12
114699-22300	5	41
114699-55230	9	15
114770-61190	6	30
114770-61600	6	28
114770-61610	6	29
114771-11461	2	25
	11	25
114771-11470	2	26
114771-14260	5	7
114771-61700	6	45 -1
114771-61810	6	49 A
114771-61830	6	49 B
114771-61890	6	62
114771-61940	6	49 C
114771-61960	6	64
114771-66600	6	49 D
114771-66690	6	49 E
114775-53100	8	28
114775-53140	8	26
114775-53210	8	27
114775-53330	8	31
114870-76530	7	15 -1
114870-76540	7	16 -1
114870-76560	7	18 -1
114870-76570	7	19 -1
114870-76580	7	26 B
114870-76620	7	22 -1
114880-76520	7	13 -1
114880-76550	7	26 A
114970-13550	4	2
114970-13560	4	4
114970-13700	4	5
114970-13710	4	6
114970-51100	8	4
114970-66010	6	43
119593-53080	8	23
119593-53130	8	25
119620-11180	2	9
121750-59890	9	29
122710-01220	5	12
124060-23100	5	46

PARTS No. INDEX

PARTS No.	Fig.	Ref.No.
124550-51350	8	16
124722-59050	9	26
129792-22400	5	42
135210-61090	6	51
160260-01580	4	3
160330-92730	11	13
160710-78710	10	24
160725-78350	6	58
160842-21150	5	57
160842-21250	5	58
160842-21260	5	59
160910-76530	7	15
160910-76550	7	17
160910-76560	7	18
160910-76570	7	19
160910-76580	7	20
160910-76620	7	22
160910-76630	7	23
160910-76650	7	24
160970-77350	10	28
183250-07230	11	3
183250-66050	6	32
183250-66070	6	33
183250-66100	6	34
183250-66500	6	31
183350-77400	10	30
183720-55210	7	4
714650-12560	3	2
714650-23600	5	48
714650-23610	5	60
714650-23620	5	62
714650-23700	5	43
714650-55130	9	1
714650-61500	6	14
714651-53100	8	21
714651-92600	11	17
714652-22720	5	33
714655-01560	1	1 -1
714656-51100	8	1 -1
714657-21700	5	13
714658-21700	5	14
714659-21700	5	15
714685-61700	6	21
714689-14580	5	1
714970-01560	1	1
714970-22500	5	35
714970-28511	5	50
714970-51700	8	1
X2114274200	10	18
X2114275010	10	15

PARTS No.	Fig.	Ref.No.
X2114455080	10	11
X2114560130	10	14
X2114680050	10	16
X2114715500	10	4
X2114811000	10	3

PARTS No.	Fig.	Ref.No.
-----------	------	---------

PARTS No.	Fig.	Ref.No.
-----------	------	---------



YANMAR CO.,LTD.